

Adelaide Bed

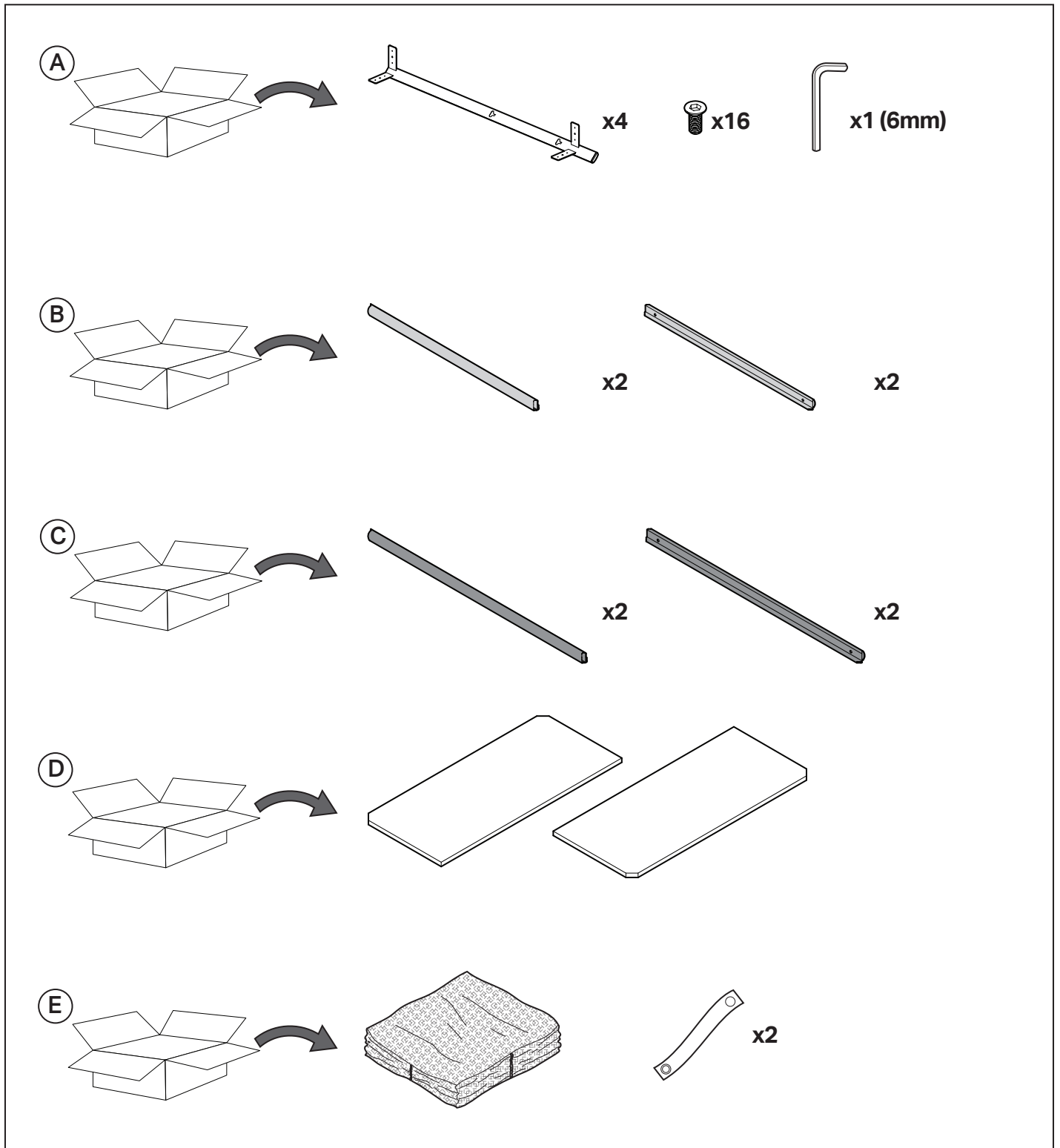
Assembly | User Guide

Two people are required for safe assembly

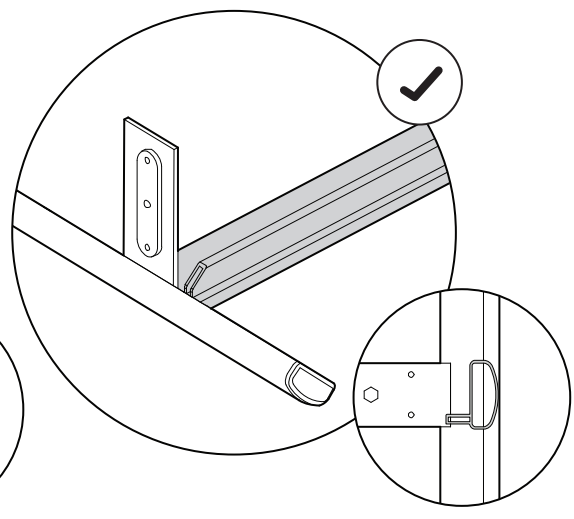
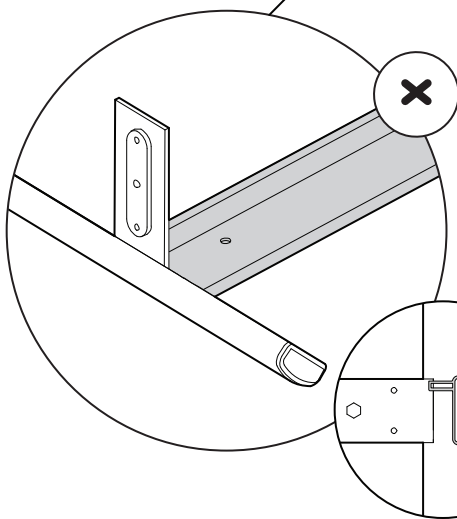
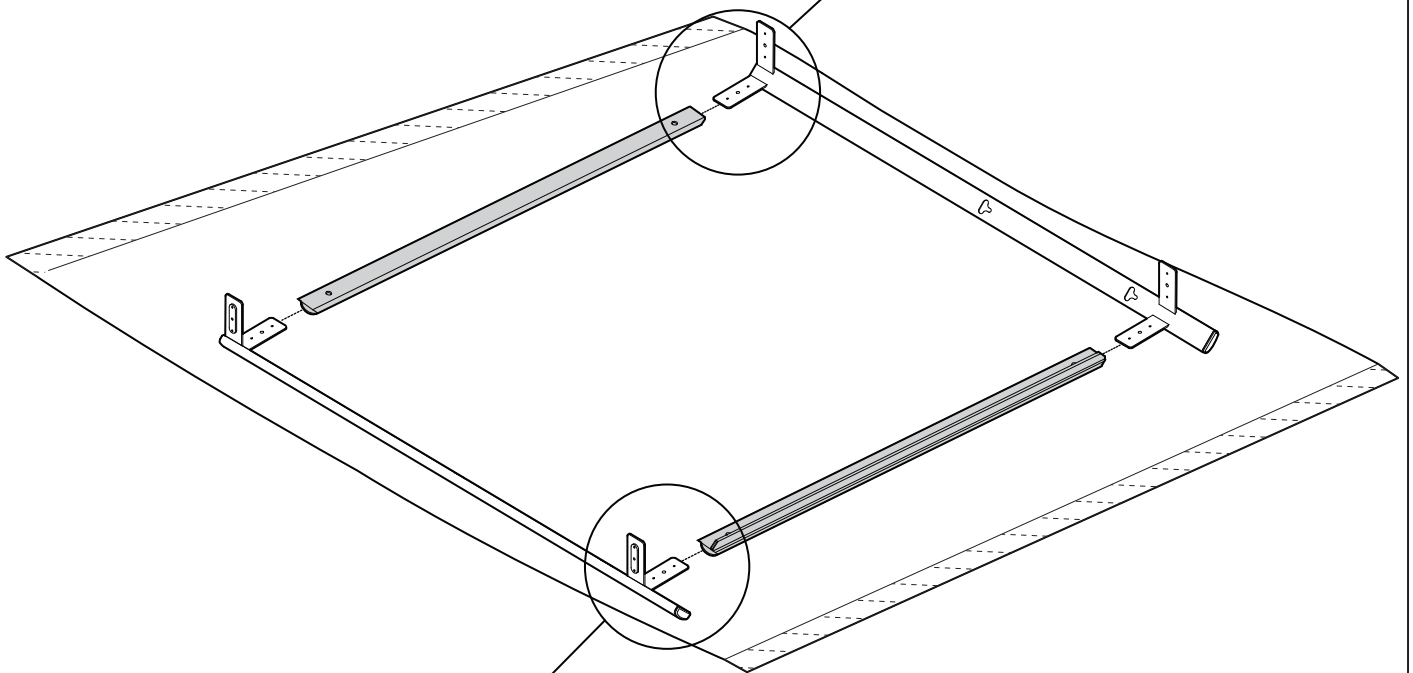
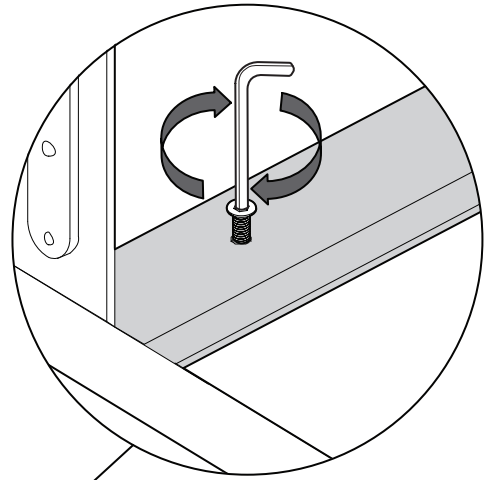
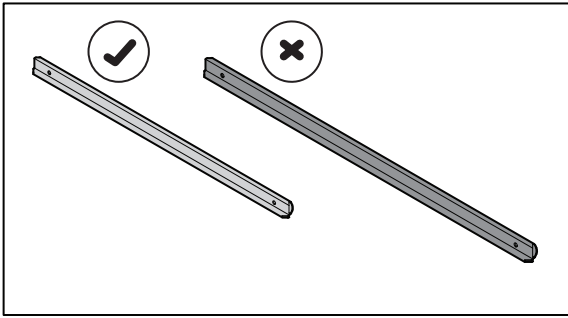
Opening Boxes:

DO NOT use a knife to open the packaging as you may damage your furniture.
Peel off the tape, then lift & separate the cardboard flaps to open.

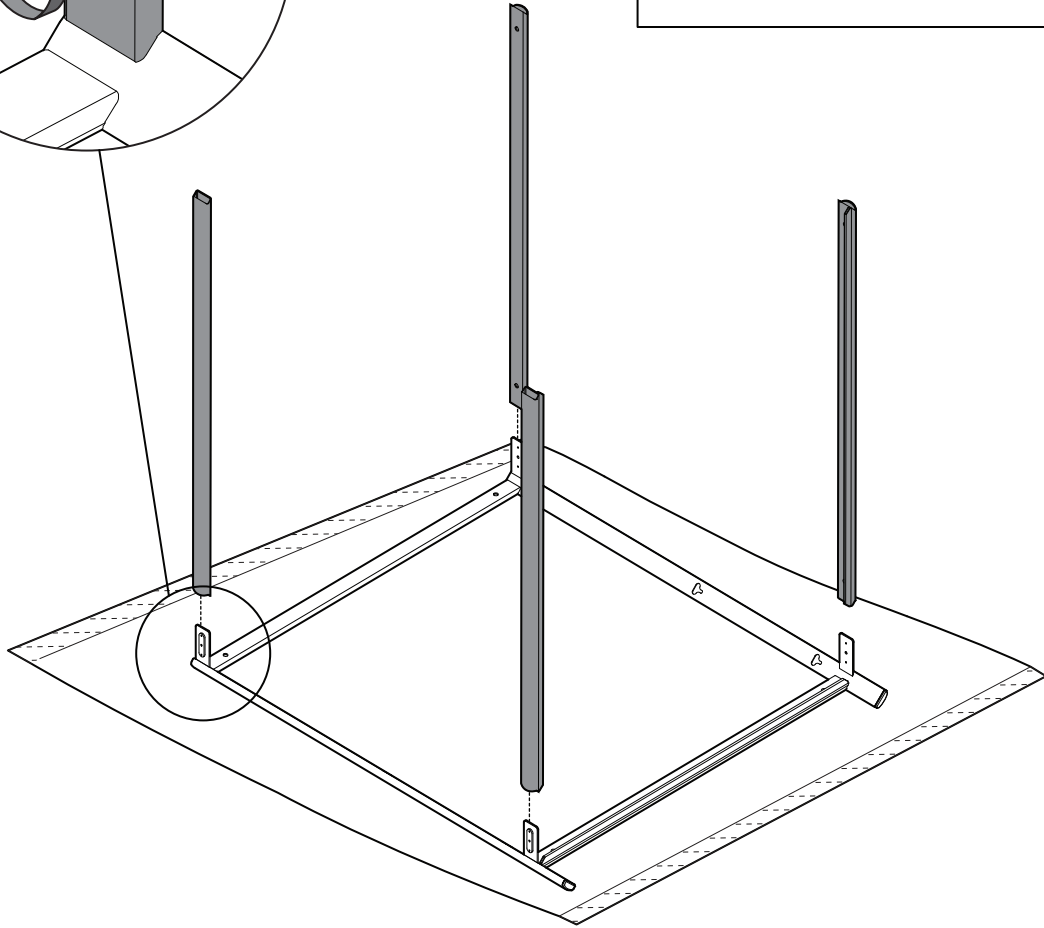
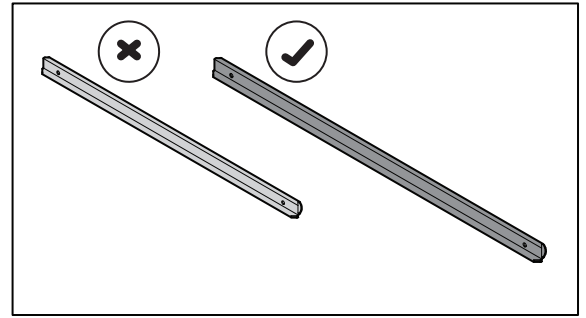
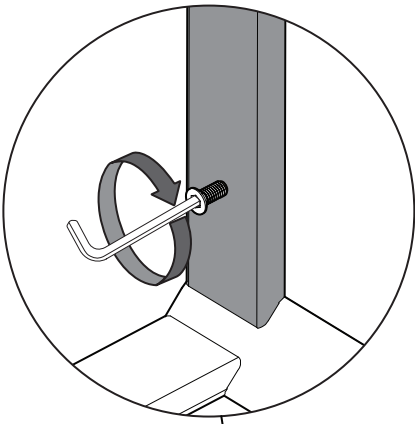
Assemble your furniture by following the instructions below.



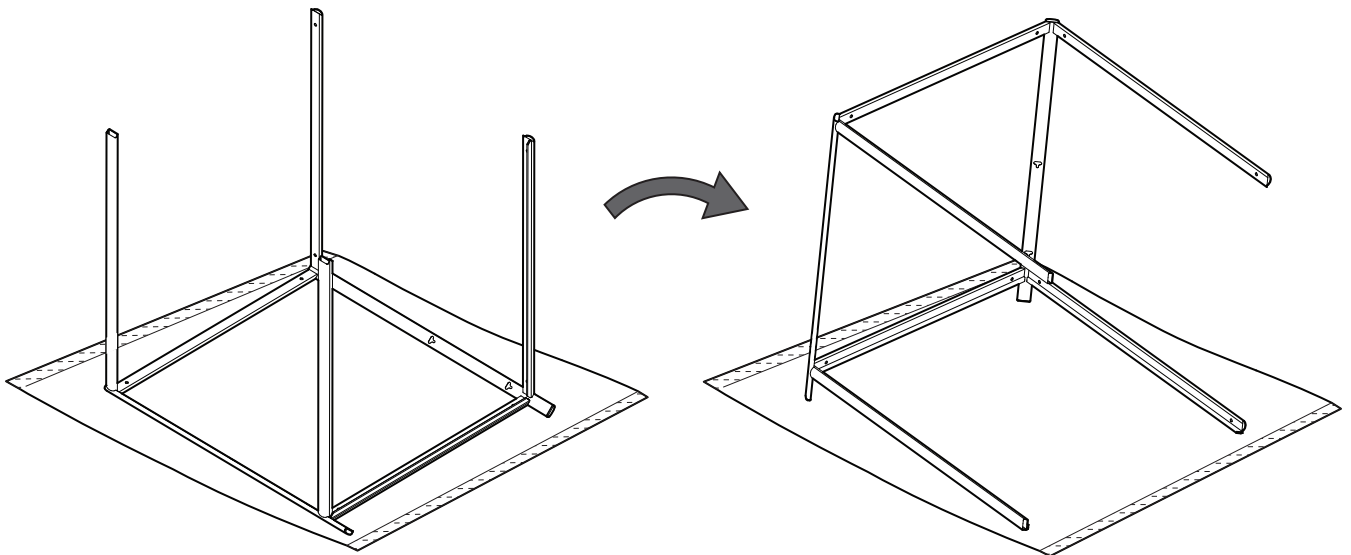
1



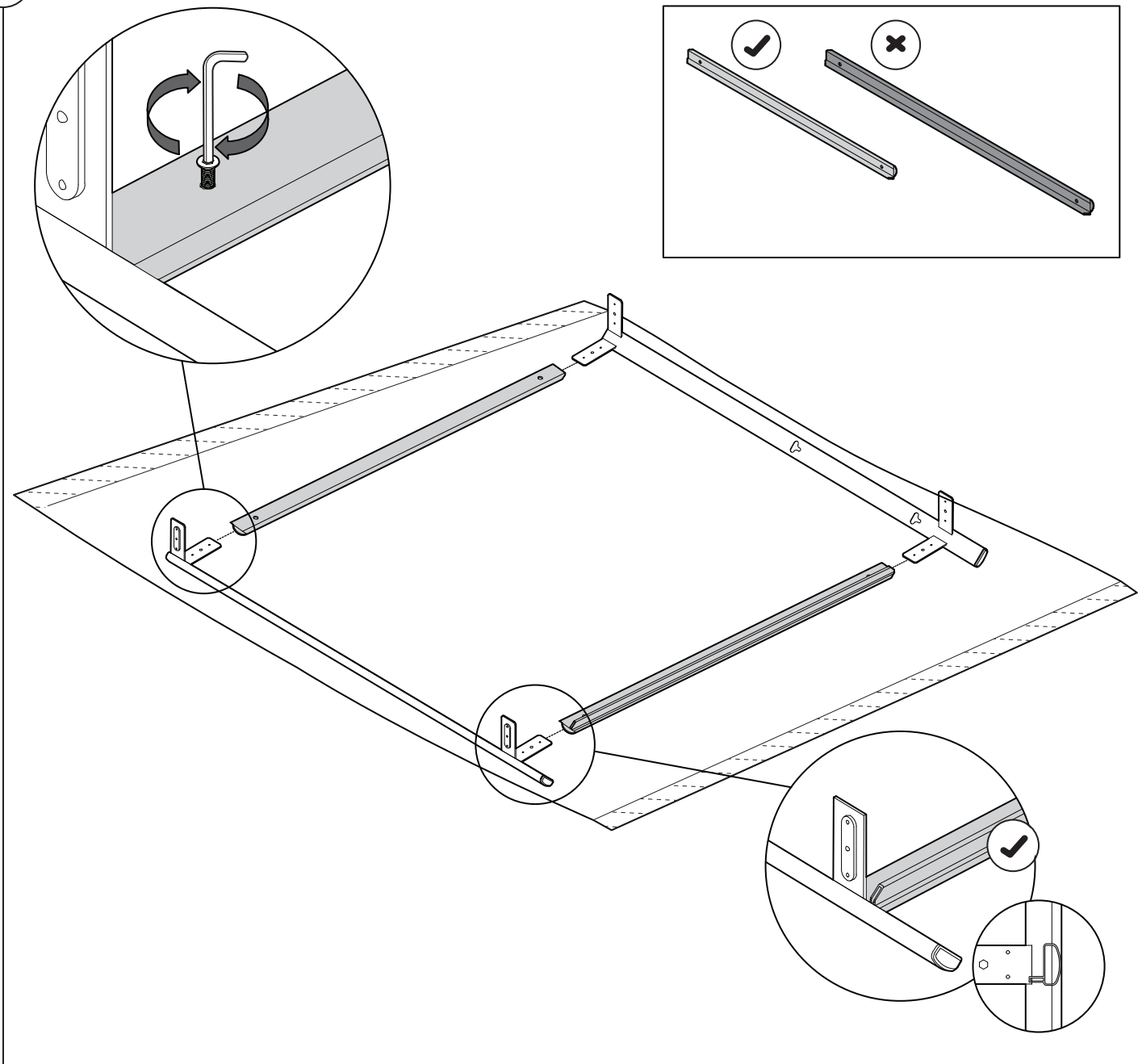
2



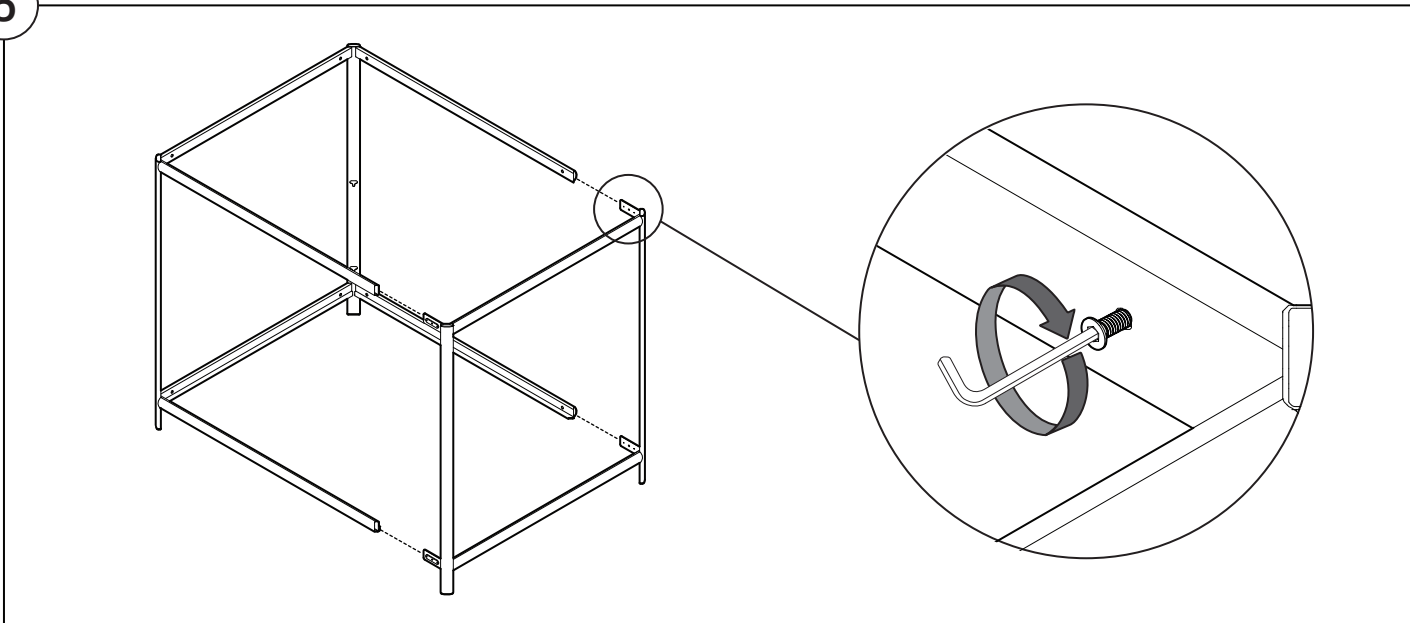
3



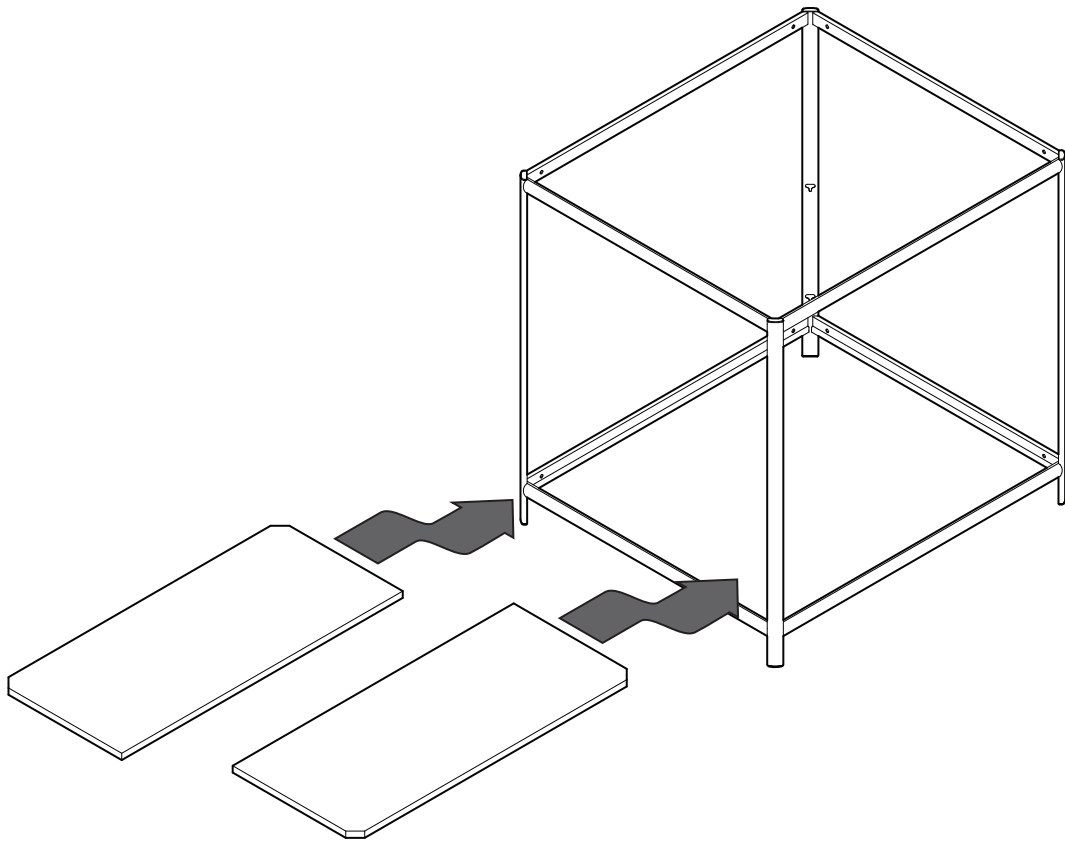
4



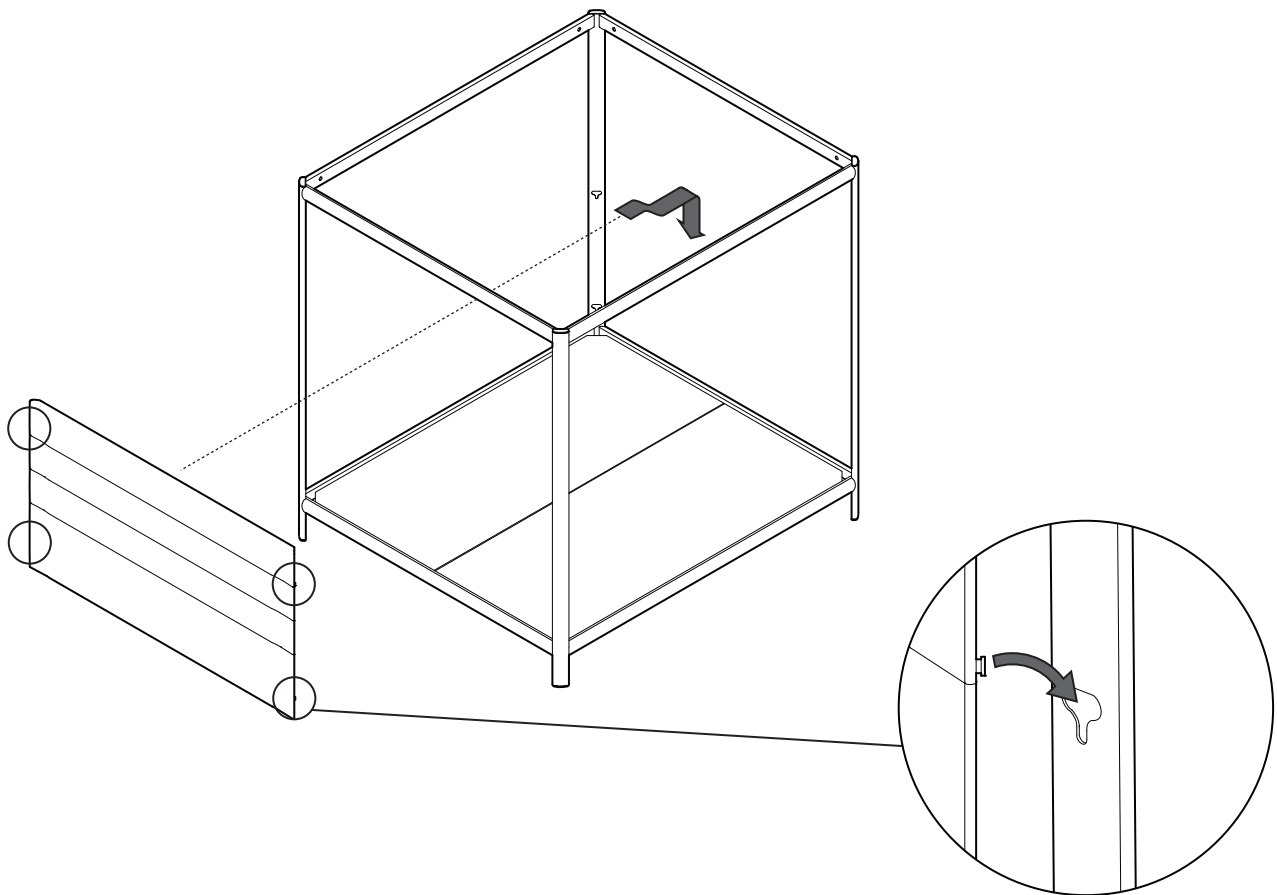
5



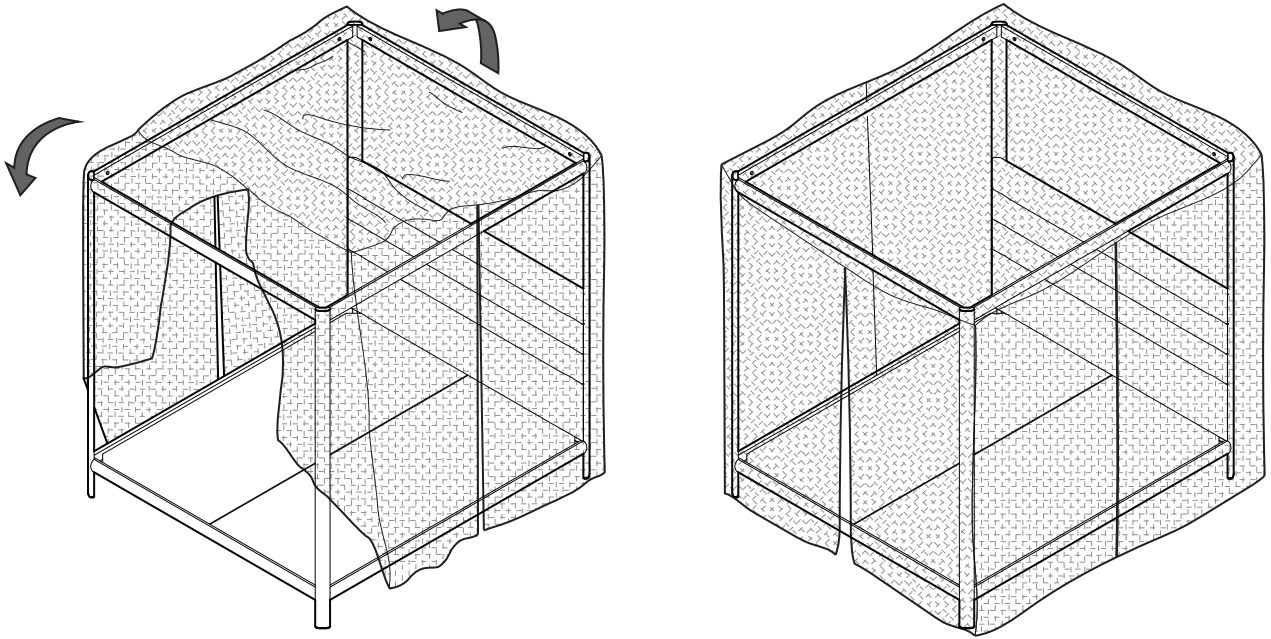
6



7



8



9

