

# Aspen Dining Table 2950

## Assembly Instructions

**KING**<sup>®</sup>  
L I V I N G

Two people are required for safe assembly.

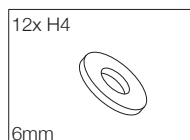
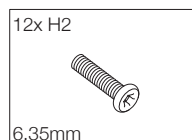
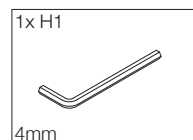
### Opening Boxes

DO NOT use a knife to open the King Living boxes as you may damage your furniture.

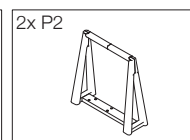
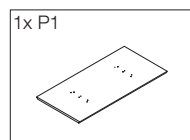
Peel off the tape, then lift & separate the cardboard flaps to open.

Assemble your furniture by following the steps below.

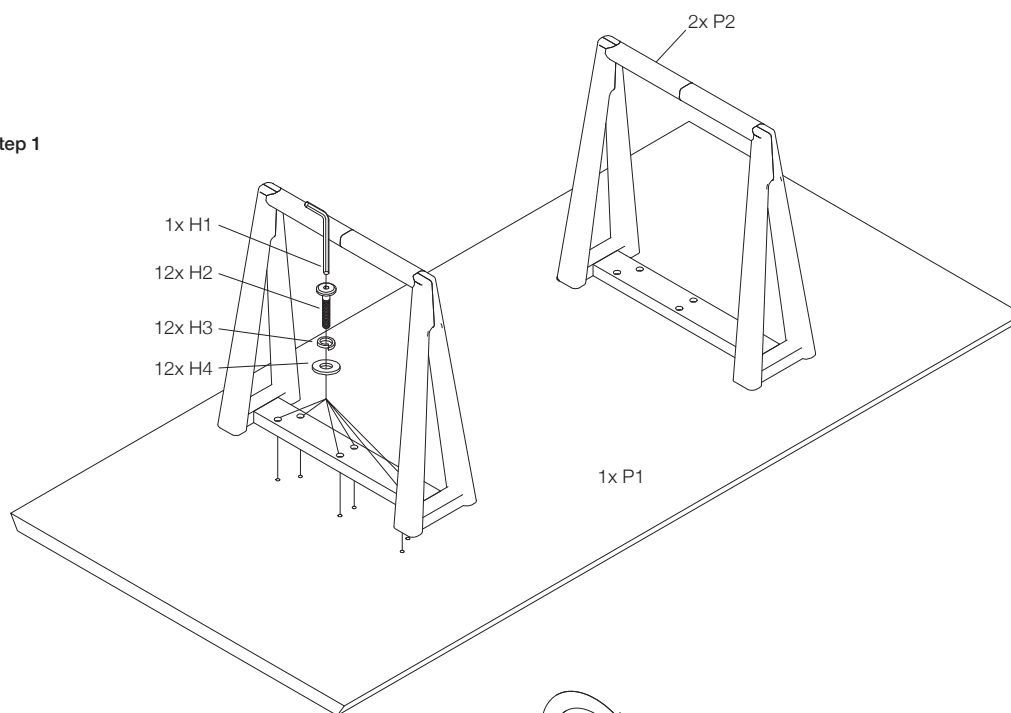
#### Hardware List



#### Parts



#### Step 1



#### Complete

