

Issho Coffee Table

Assembly Instructions

KING[®]
L I V I N G

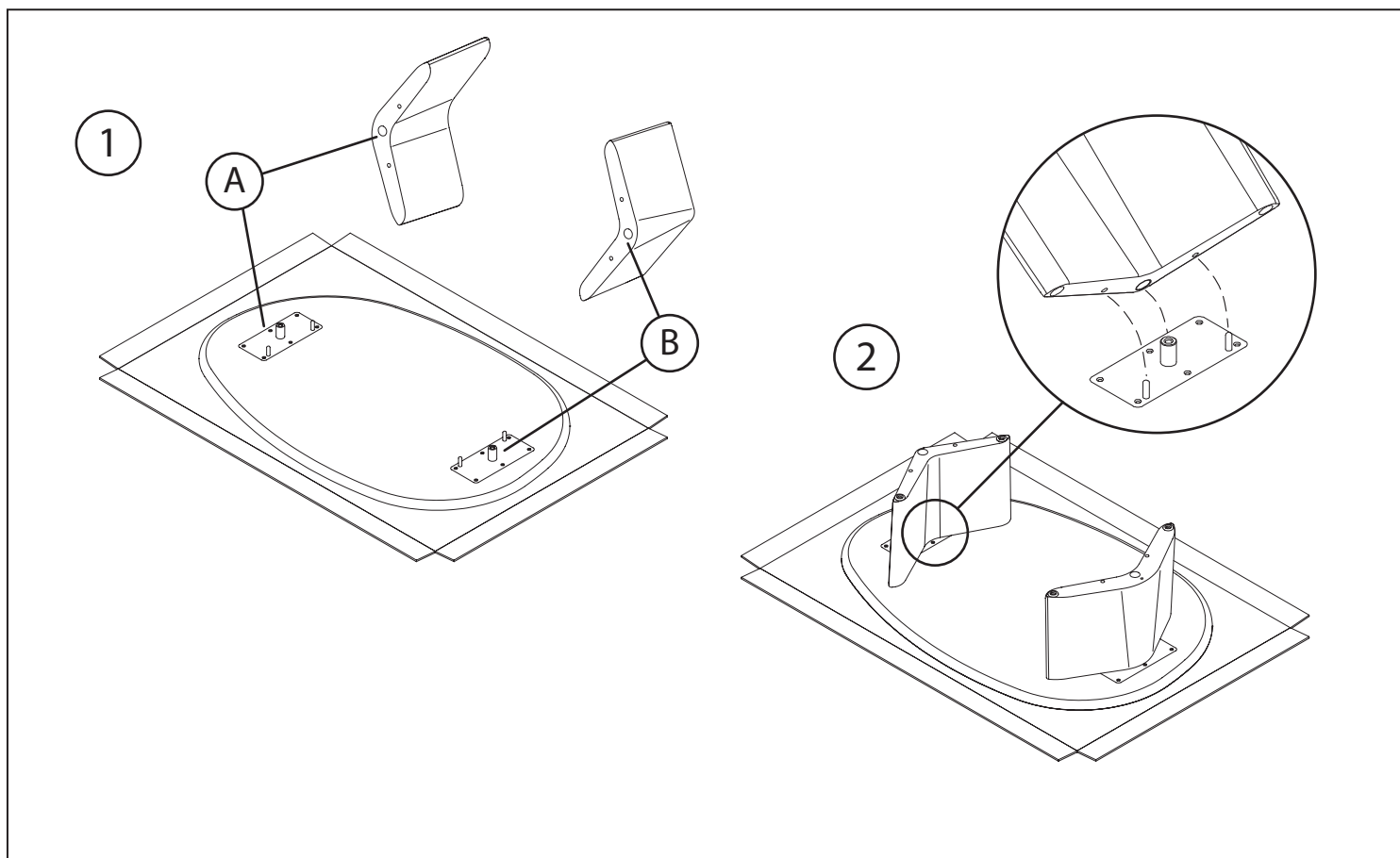
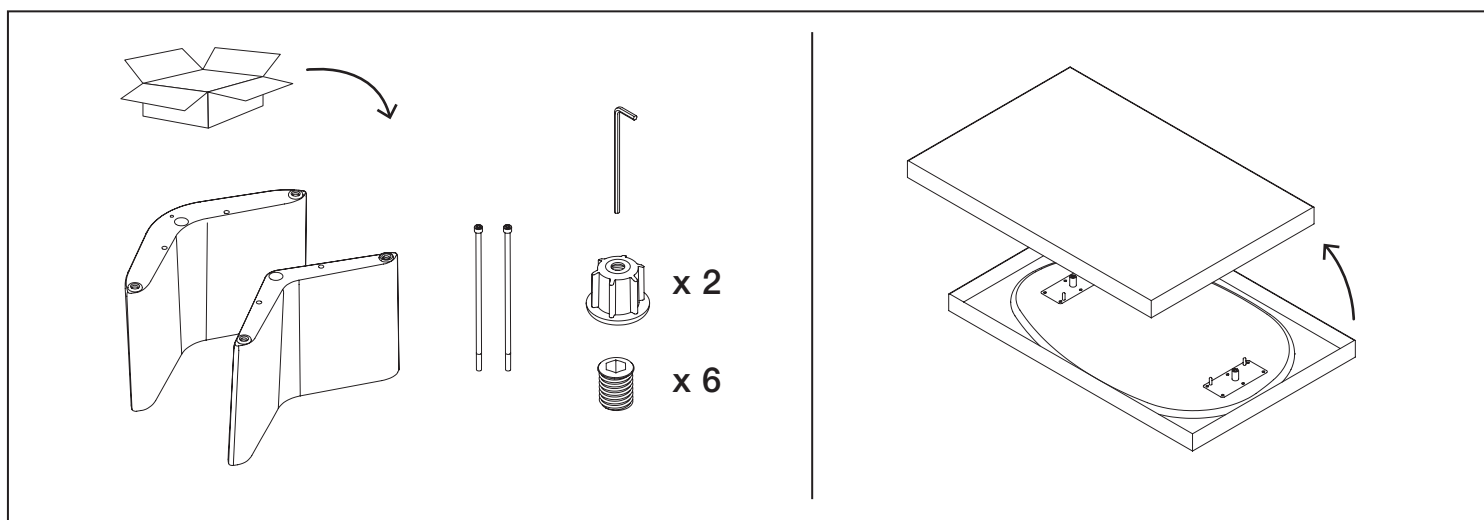
Two people are required for safe assembly.

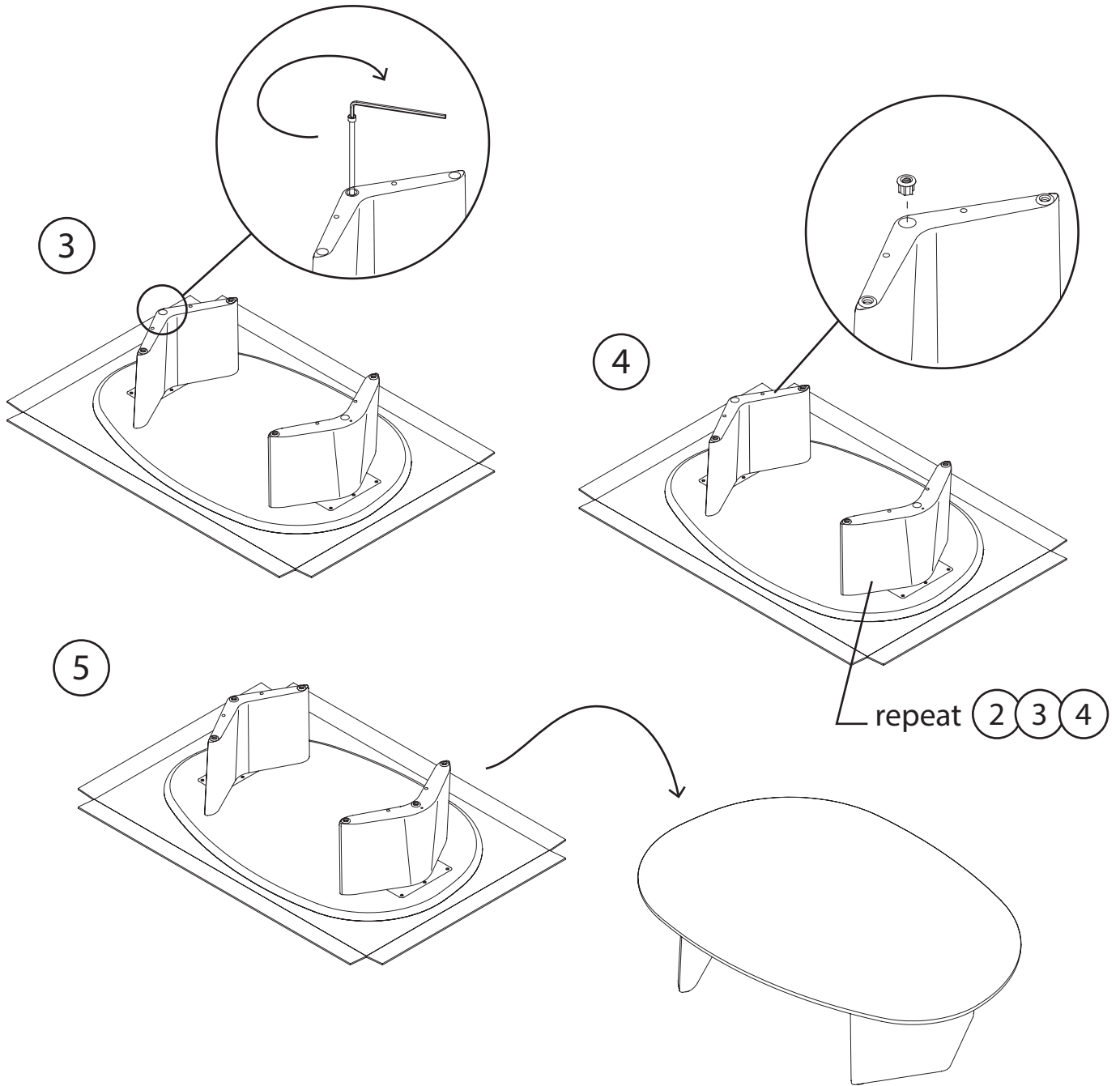
Opening Boxes

DO NOT use a knife to open the King Living boxes as you may damage your furniture.

Peel off the tape, then lift & separate the cardboard flaps to open.

Assemble your furniture by following the steps below.





Adjustable Footcaps

