

# Issho Side Table

## Assembly Instructions

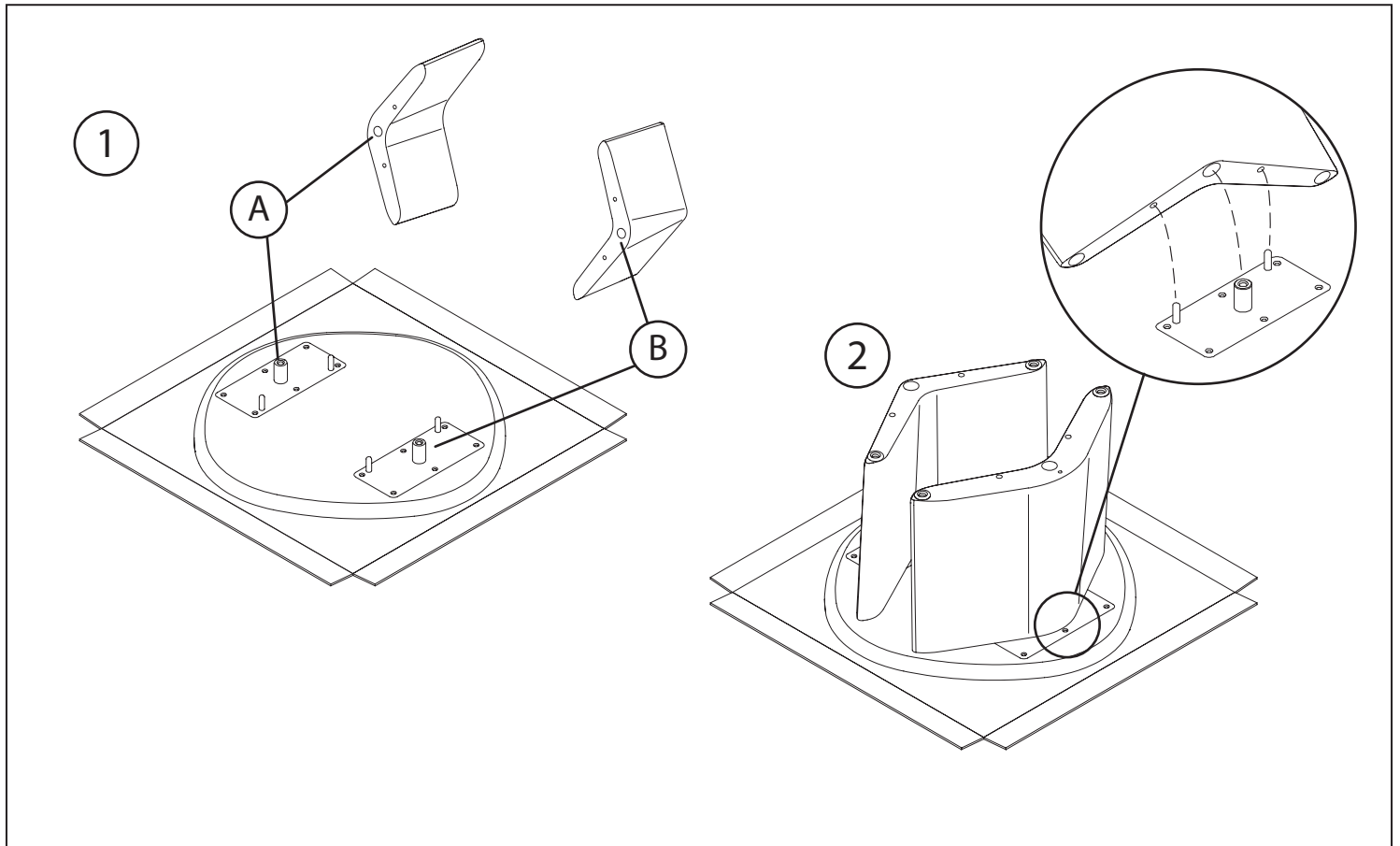
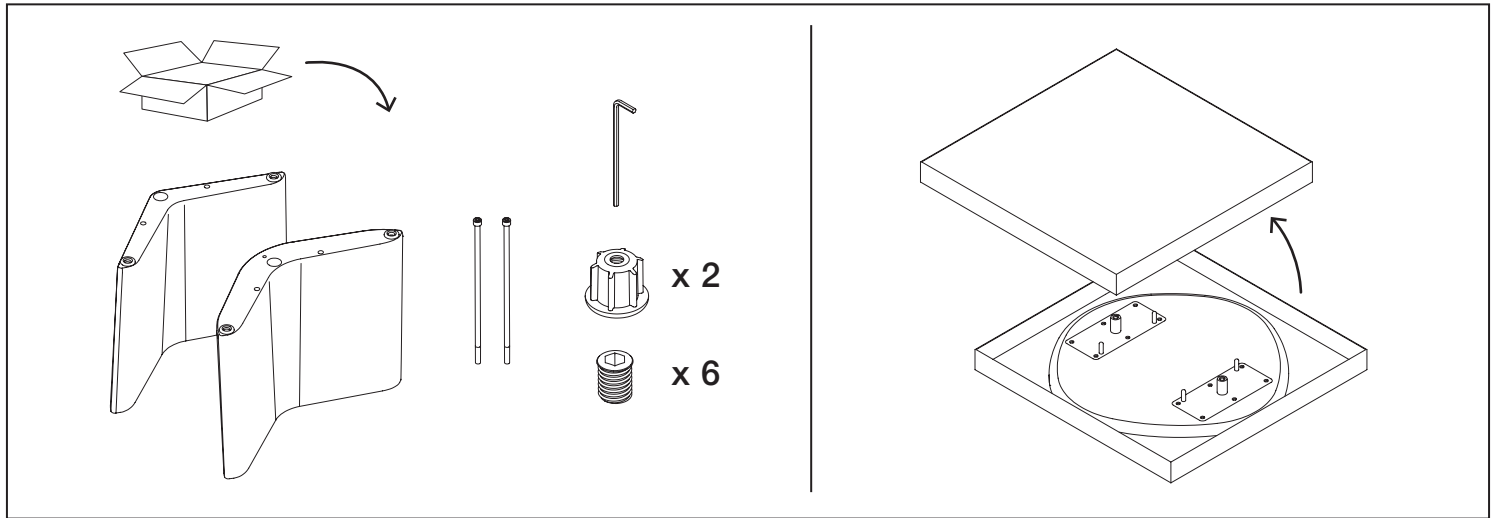
**KING**<sup>®</sup>  
L I V I N G

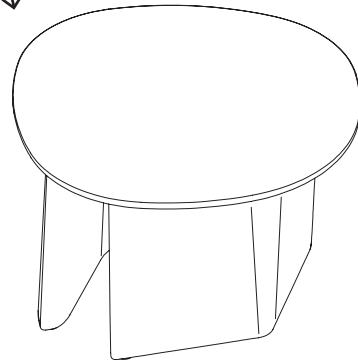
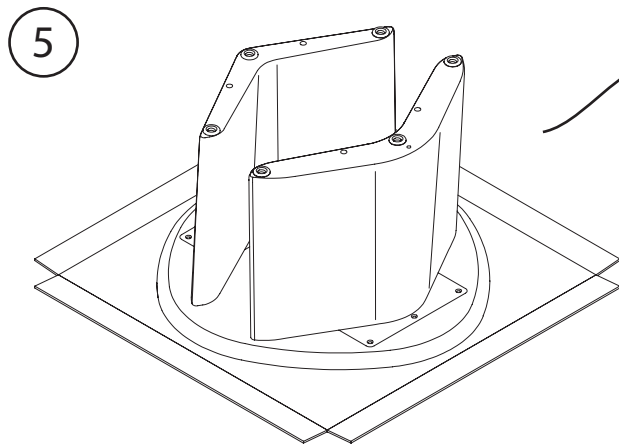
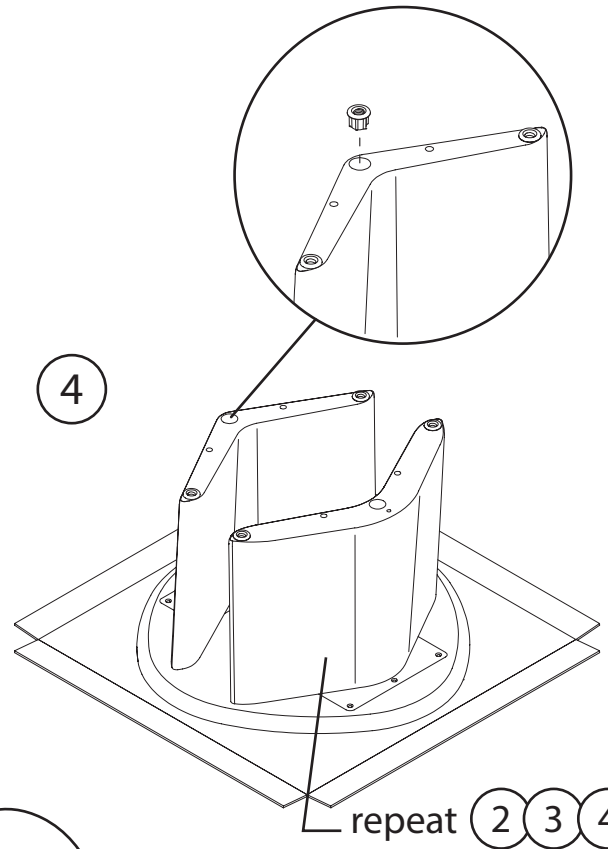
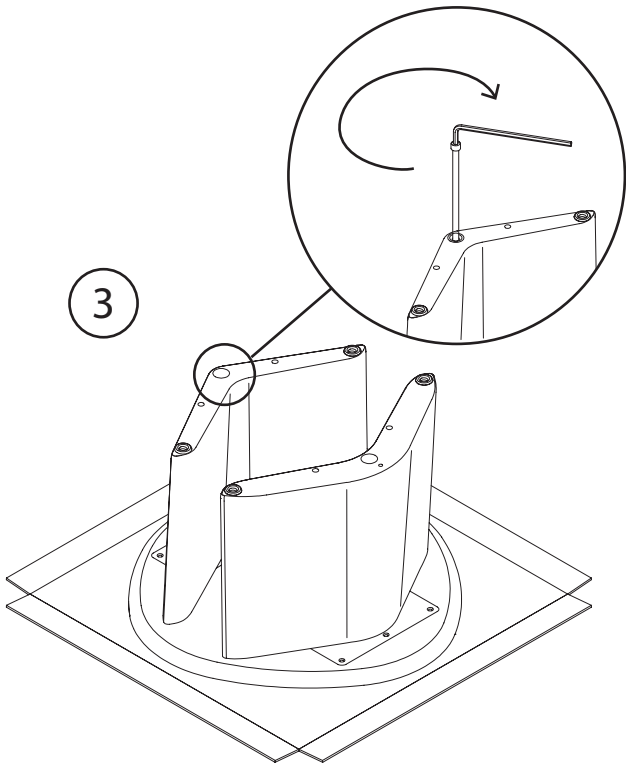
Two people are required for safe assembly.

### Opening Boxes

DO NOT use a knife to open the King Living boxes as you may damage your furniture. Peel off the tape, then lift & separate the cardboard flaps to open.

Assemble your furniture by following the steps below.





### Adjustable Footcaps

