

Morpheus Occasional Tables

KING

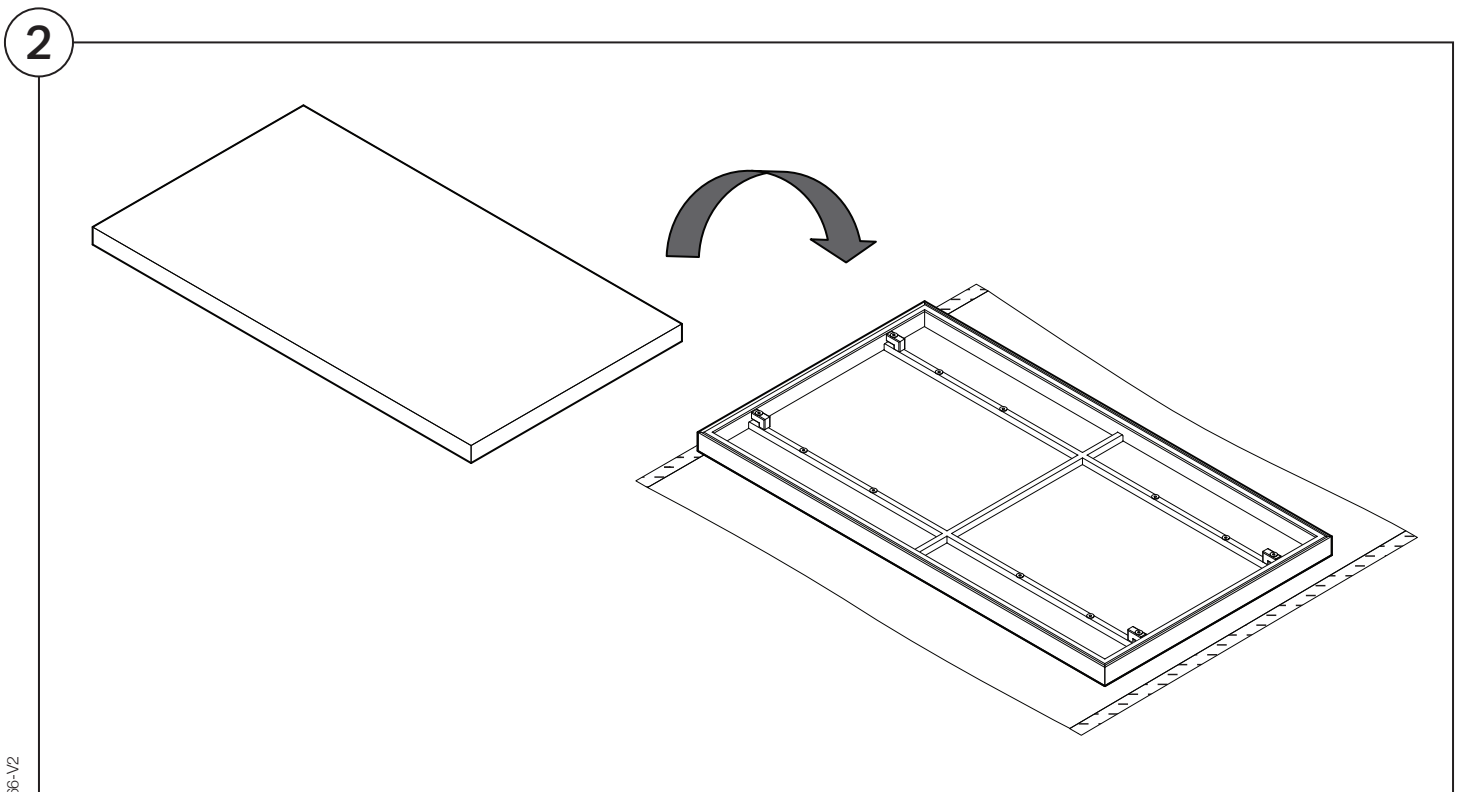
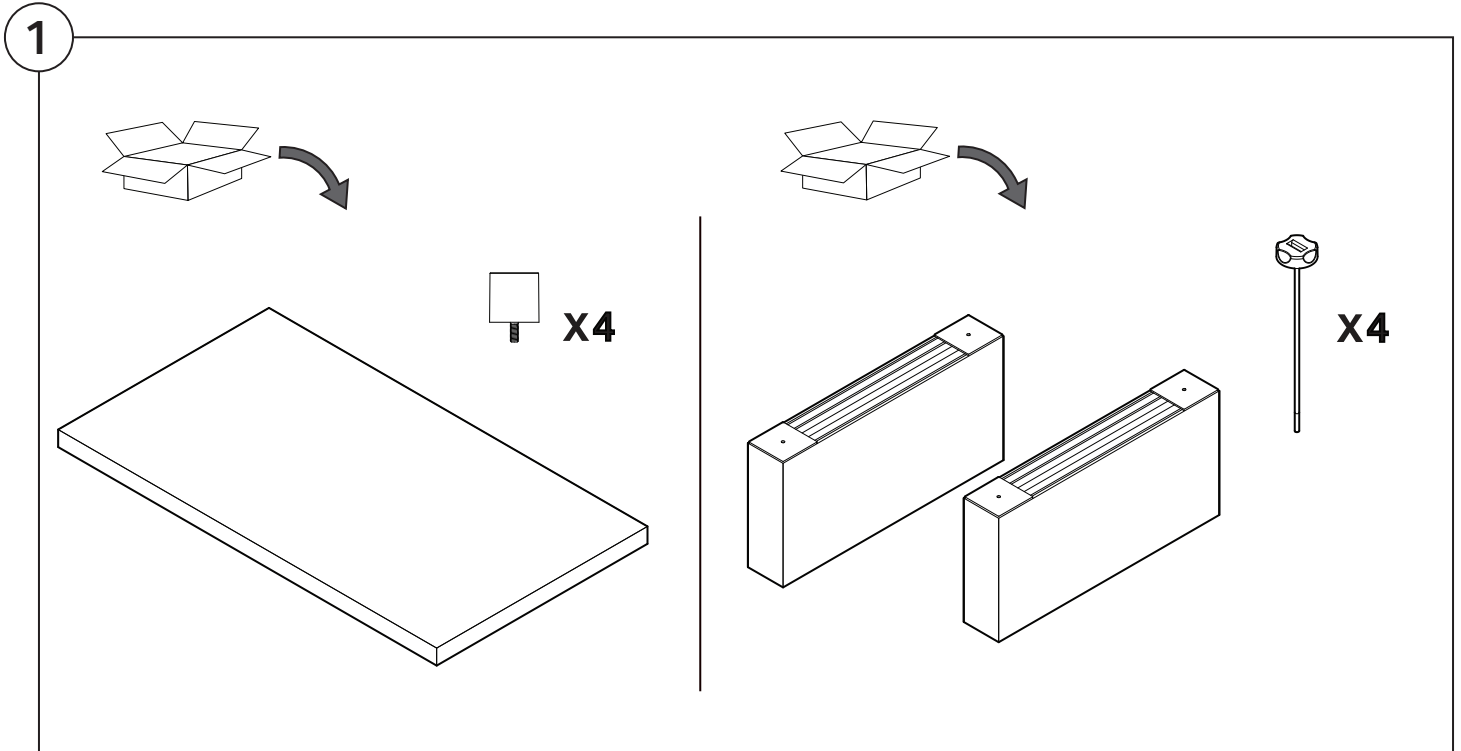
Assembly

Two People Are Required For Safe Assembly.

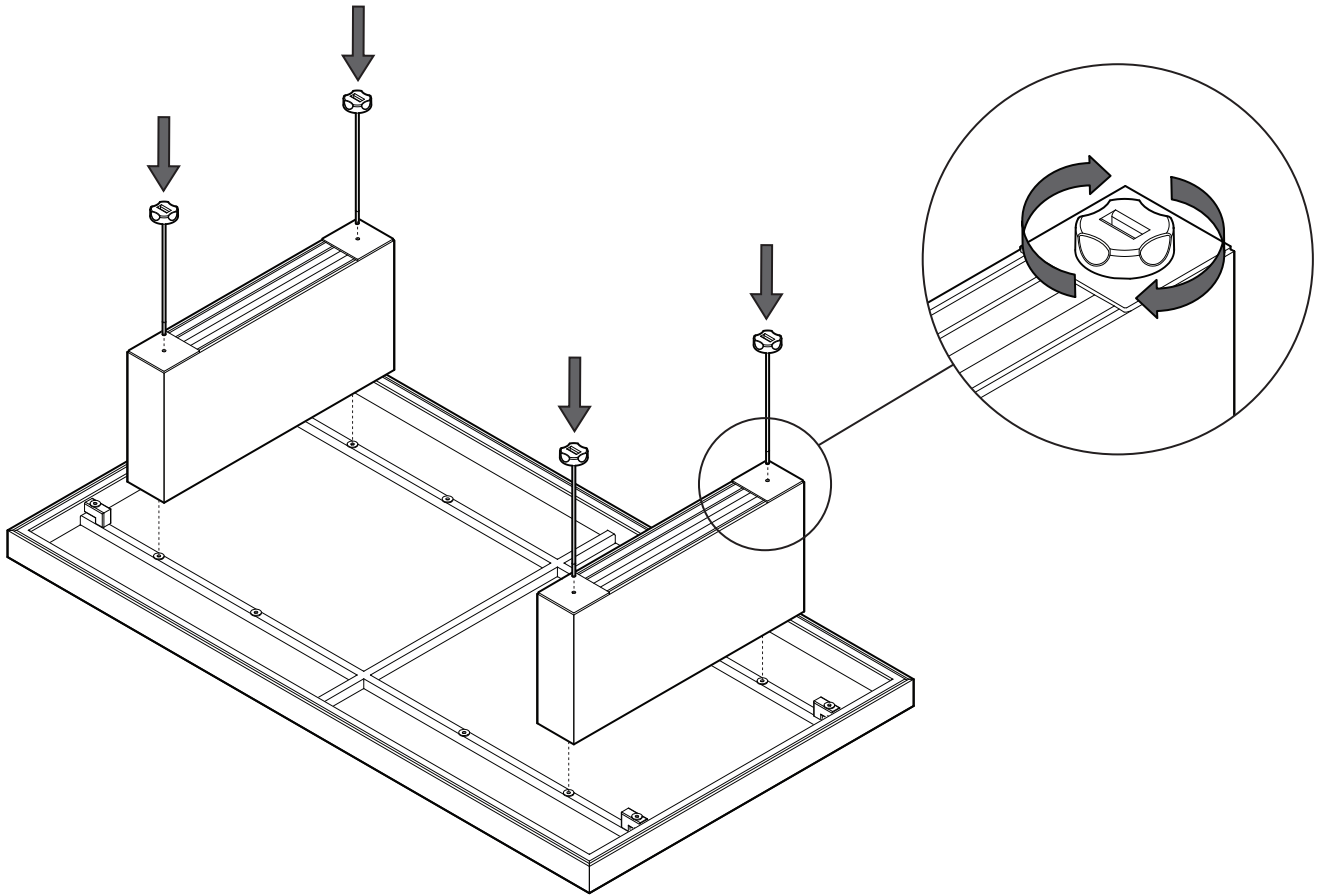
Opening Boxes:

DO NOT use a knife to open the King boxes as you may damage your furniture. Peel off the tape, then lift & separate the cardboard flaps to open.

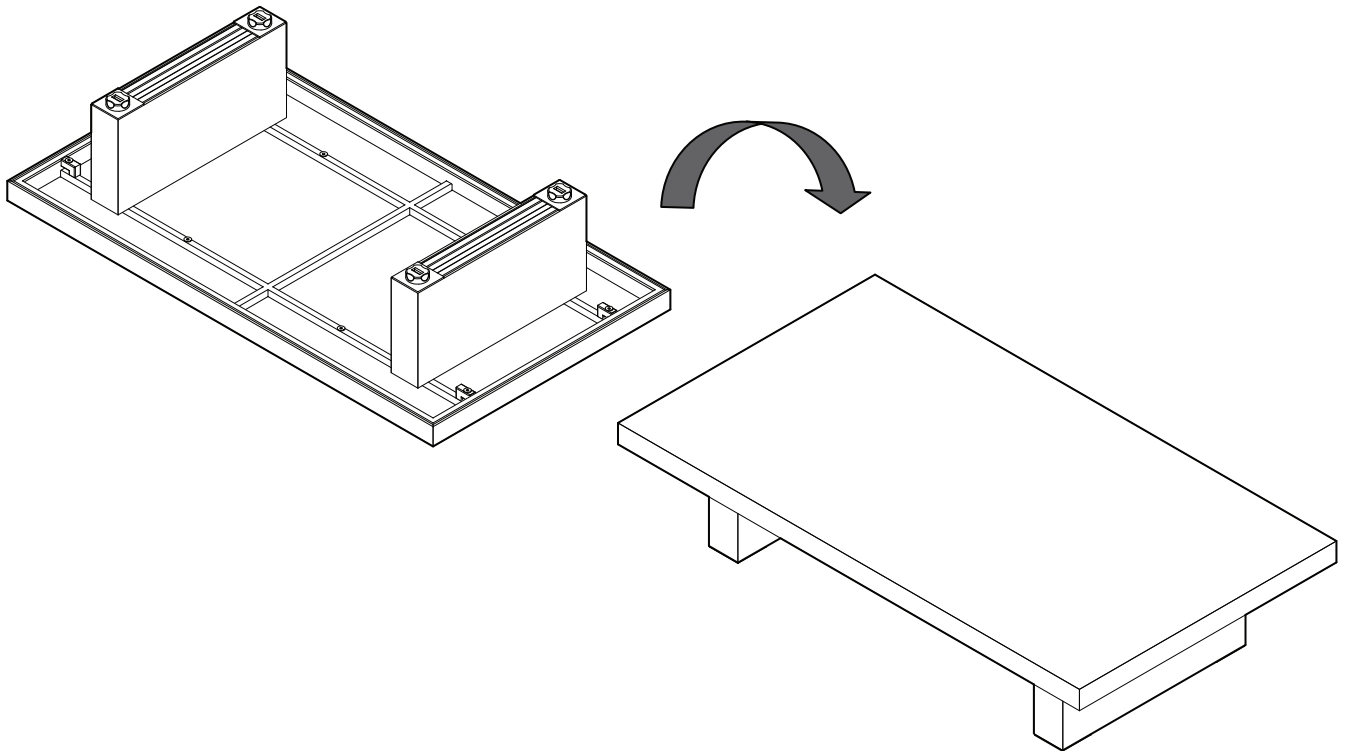
Assemble your furniture by following the instructions below.



3

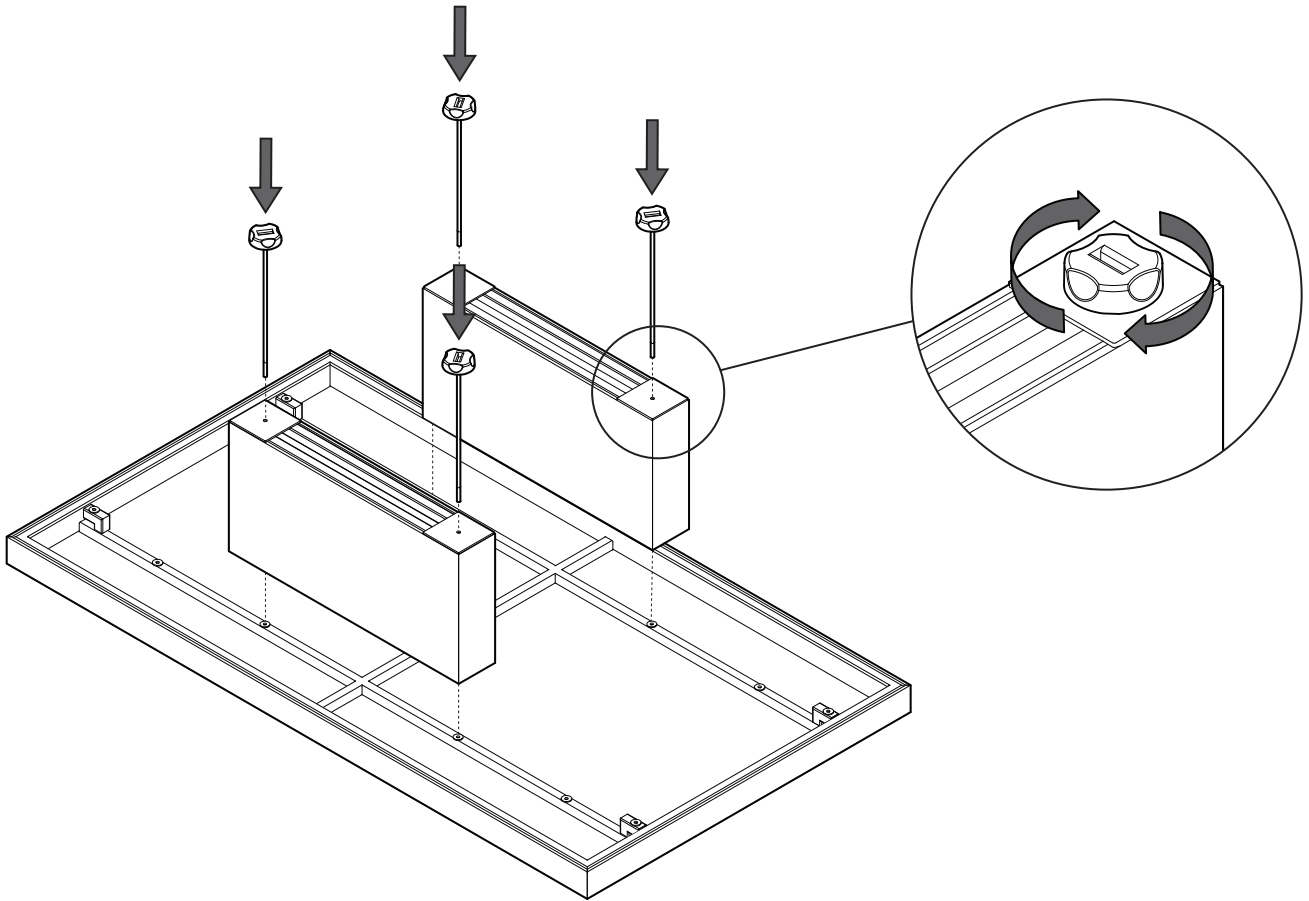


4

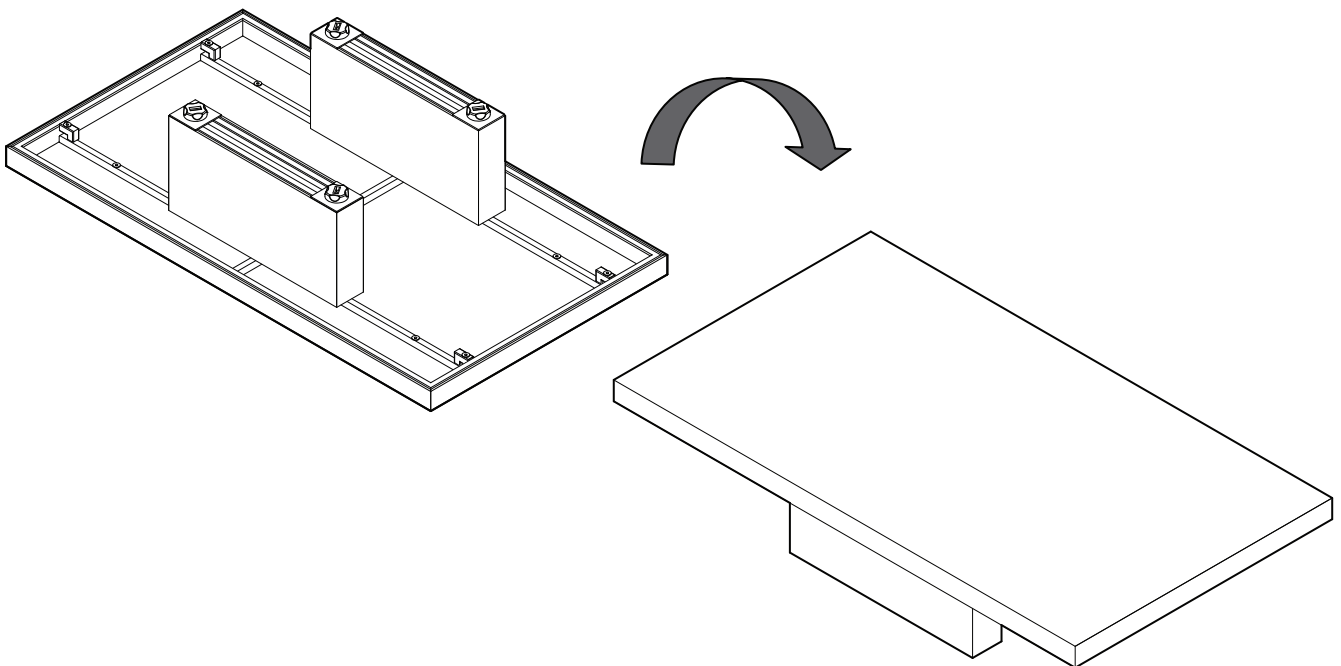


Alternate Leg Configuration

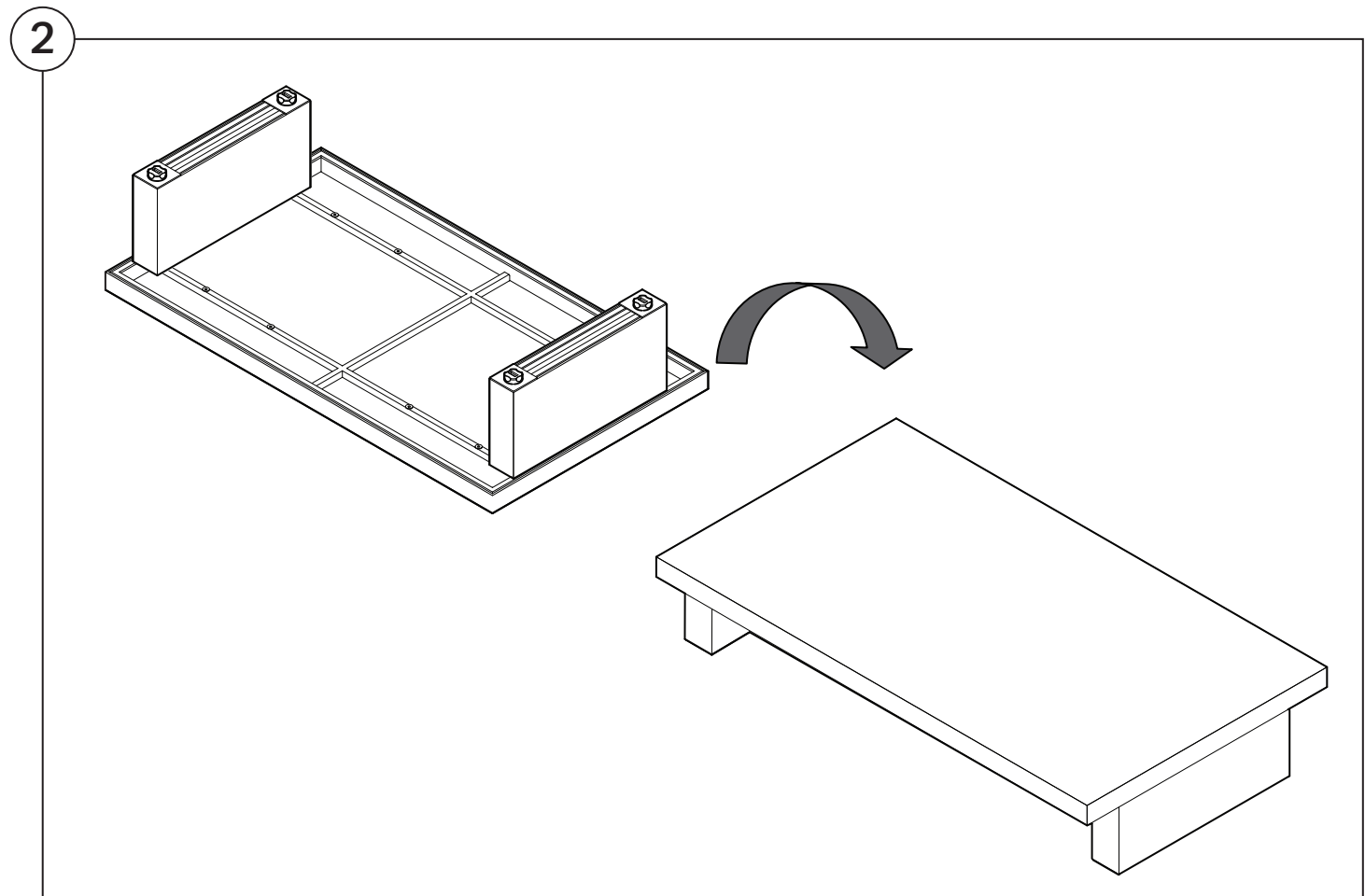
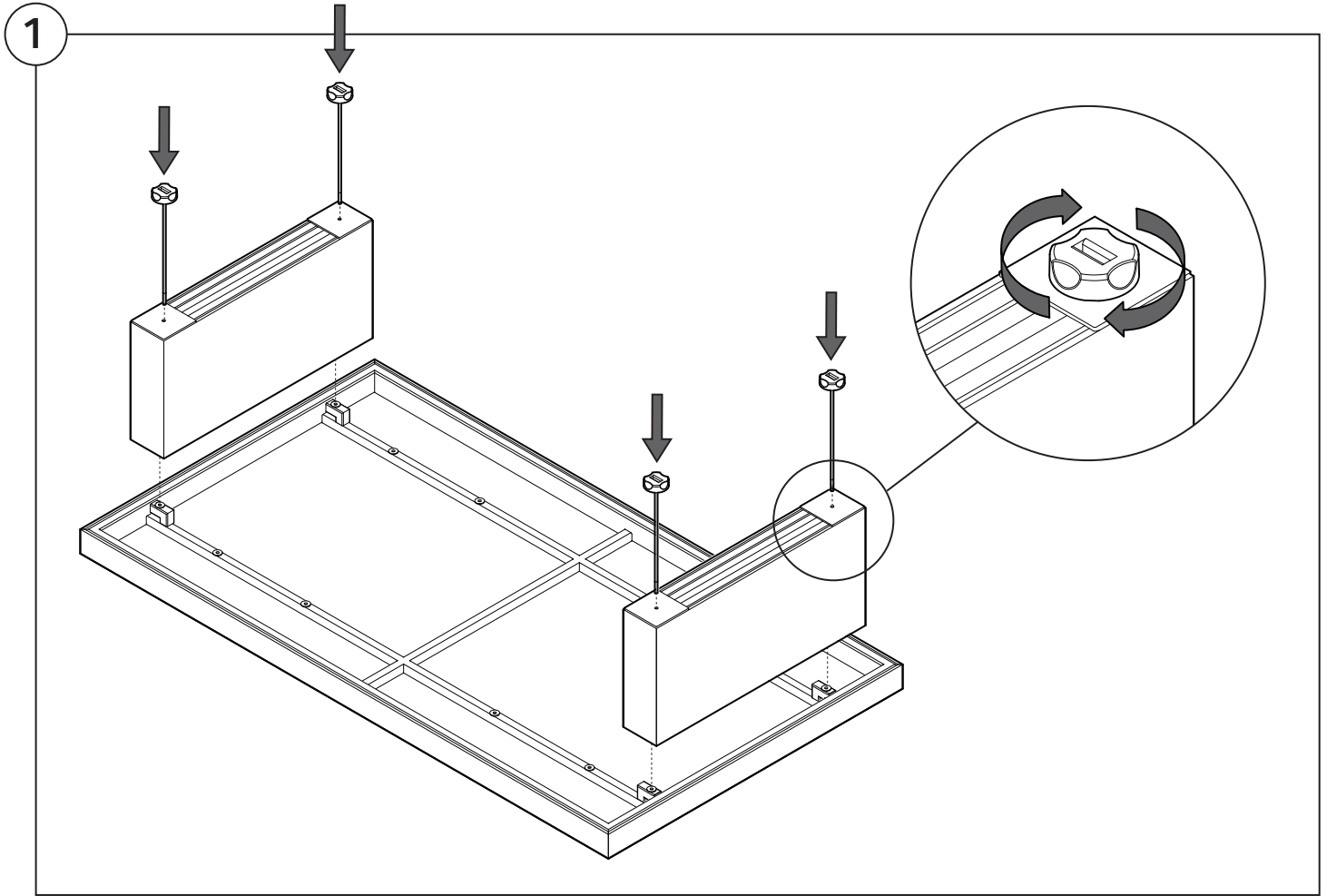
1



2



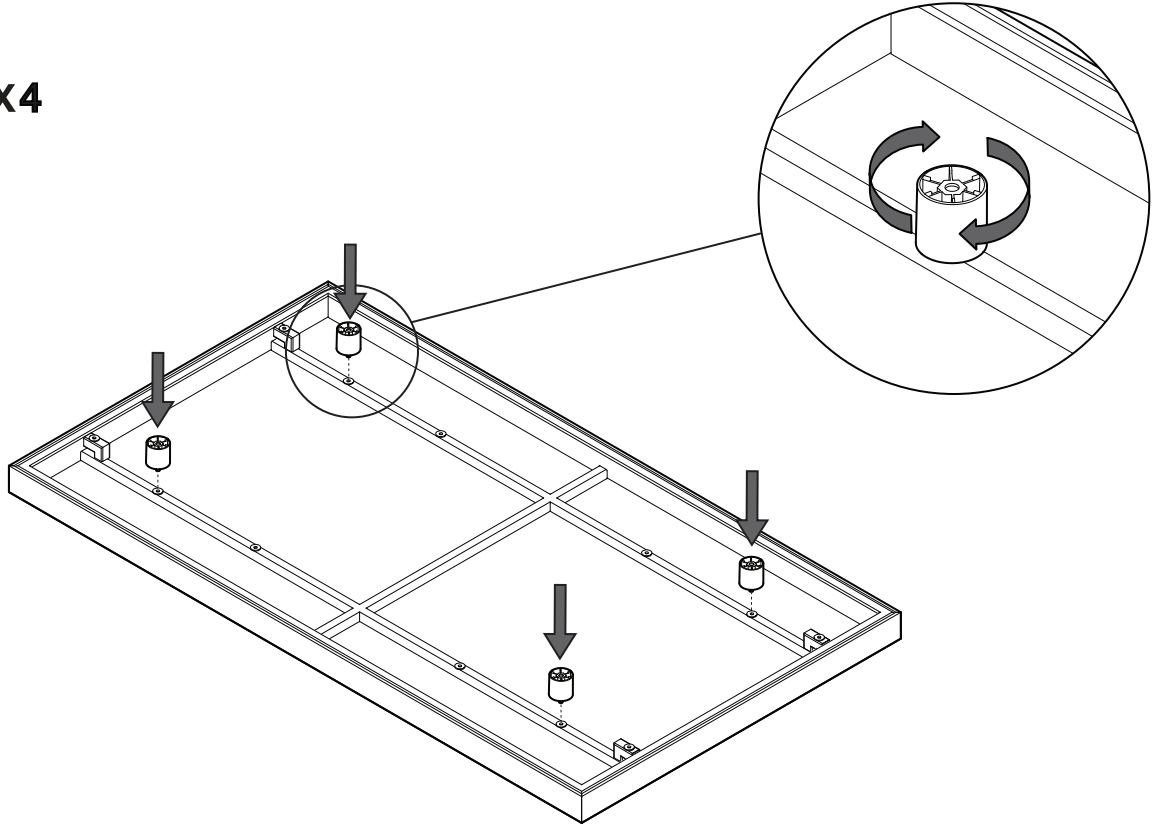
Alternate Leg Configuration 2



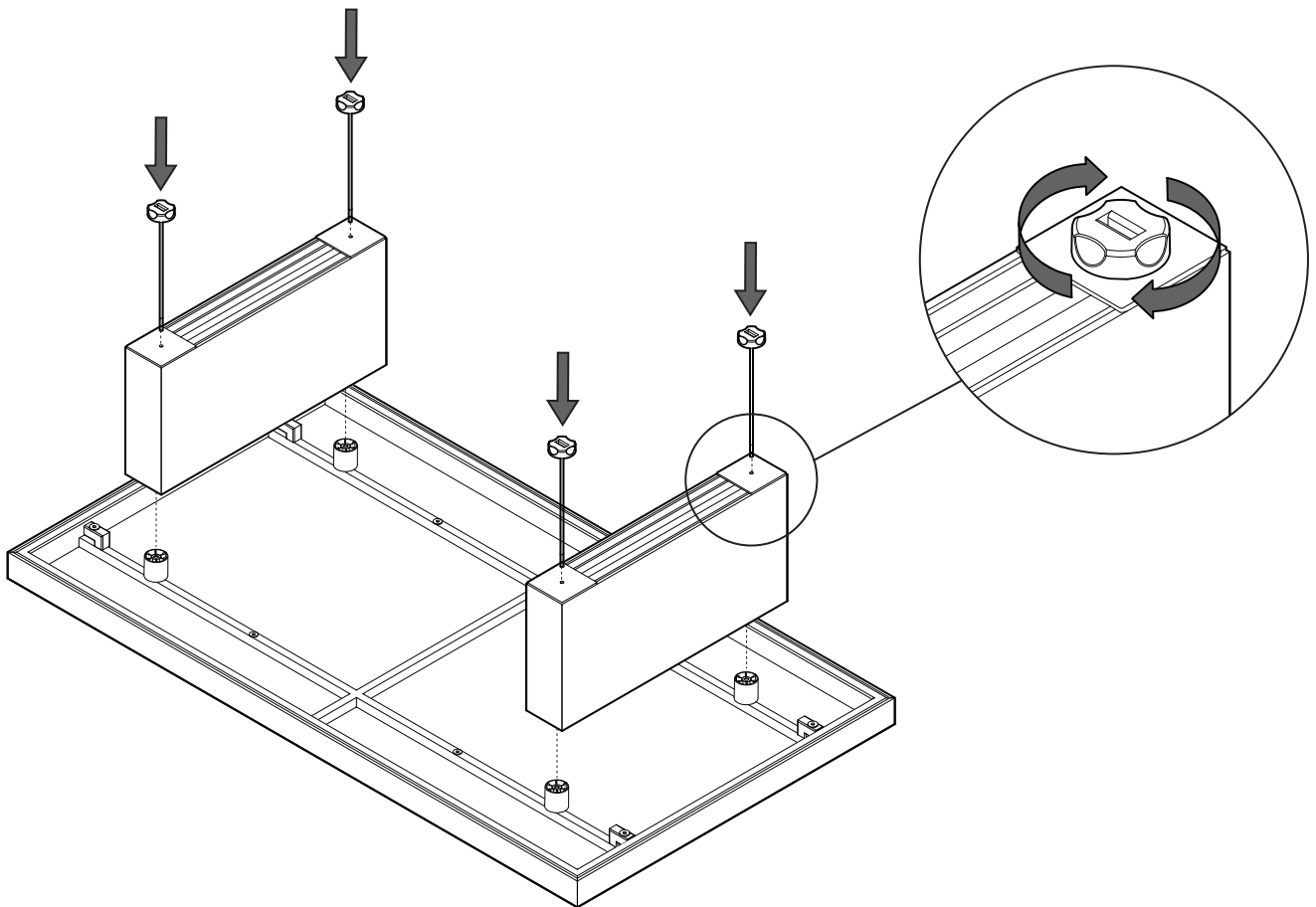
Raised Height Leg Configuration

1

 X4



2



3

