

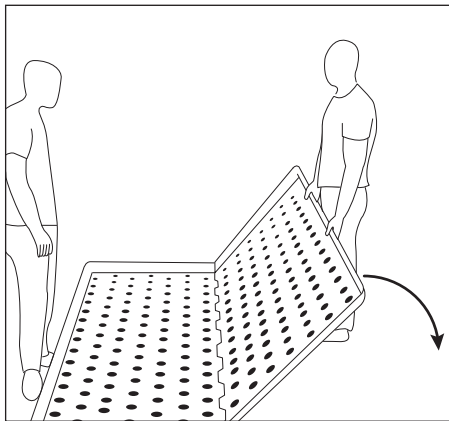
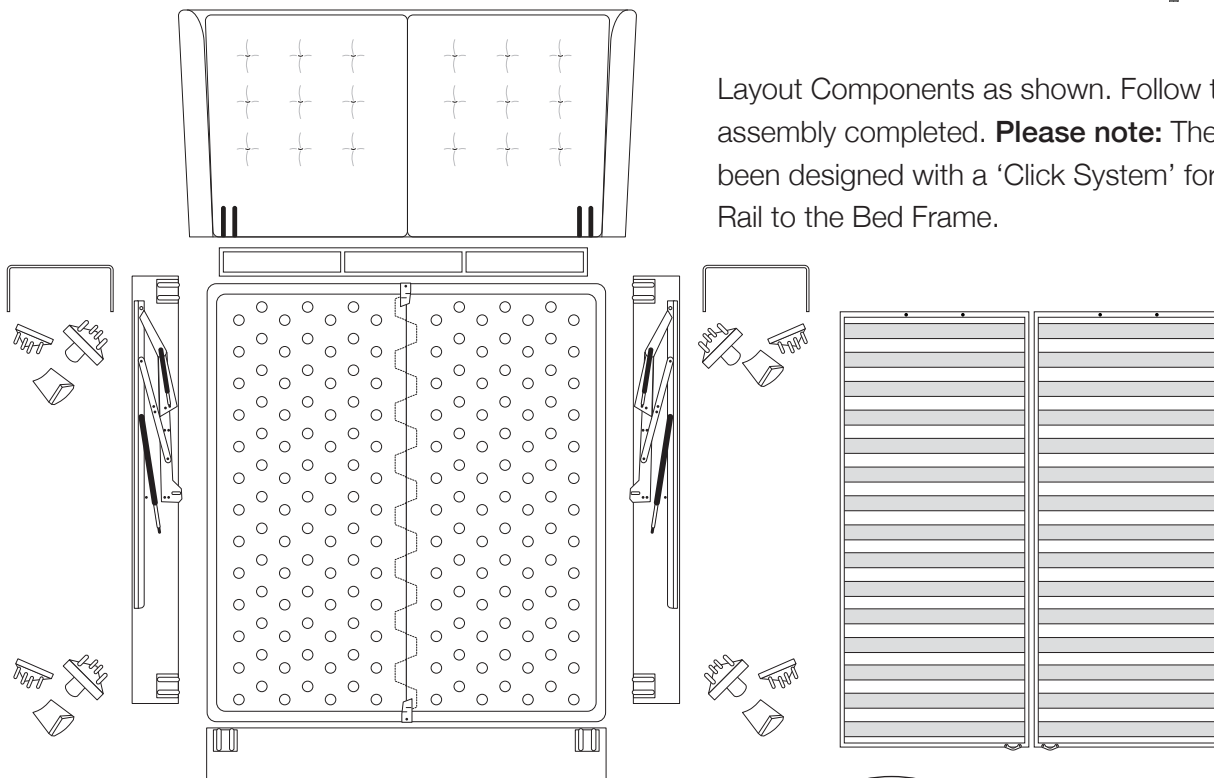
# Symphony

## Assembly Instructions

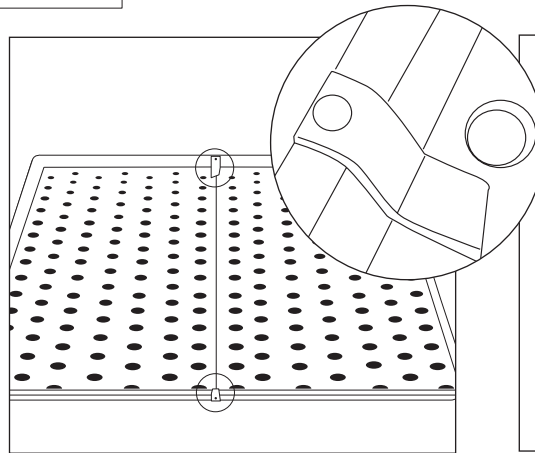
Two people are required for Safe Assembly.

**KING**<sup>®</sup>  
L I V I N G

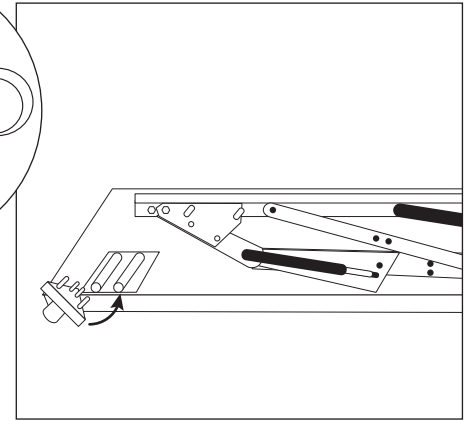
Layout Components as shown. Follow the Steps until assembly completed. **Please note:** The Symphony has been designed with a 'Click System' for attaching the Bed Rail to the Bed Frame.



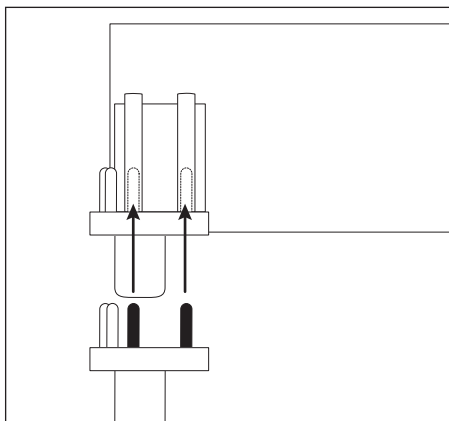
**1** Connect tub halves.



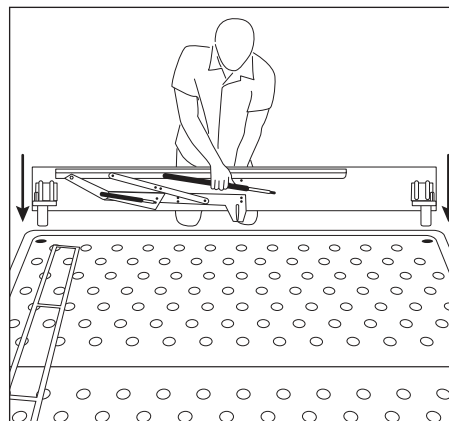
**2** Connect & secure tub halves.



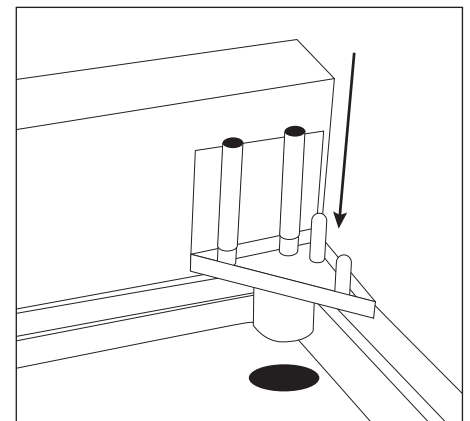
**3** Connect leg to side.



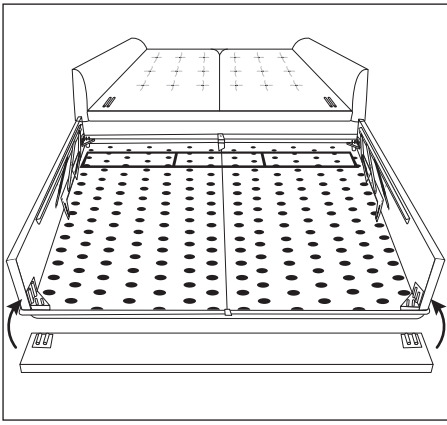
**4** Connect leg to side.



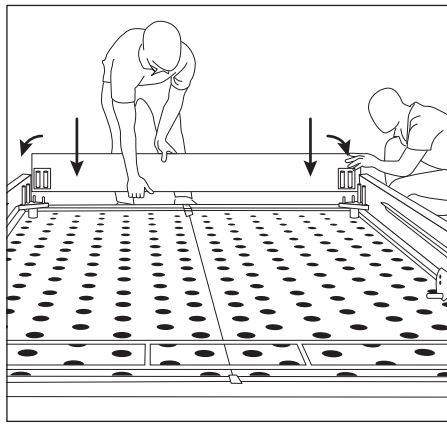
**5** Lower side onto tub.



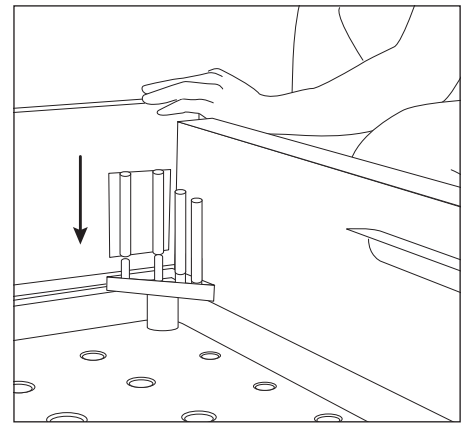
**6** Line up legs to the tub indents.



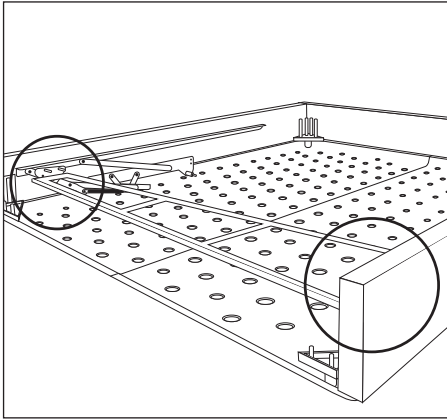
**7** Repeat for both sides.



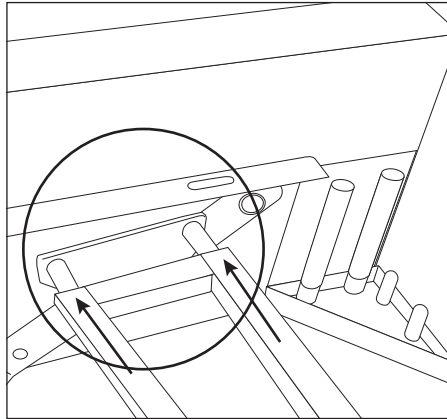
**8** Lower bed end onto tub.



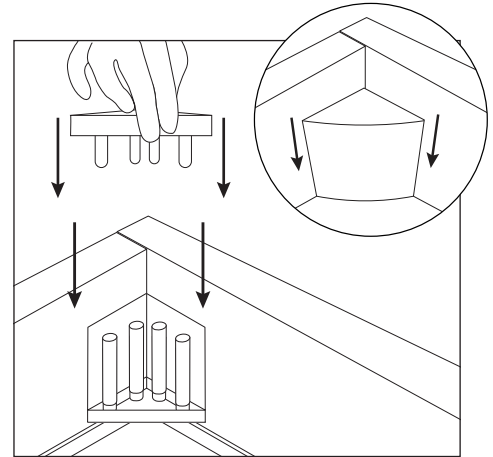
**9** Connect to sides using leg pins.



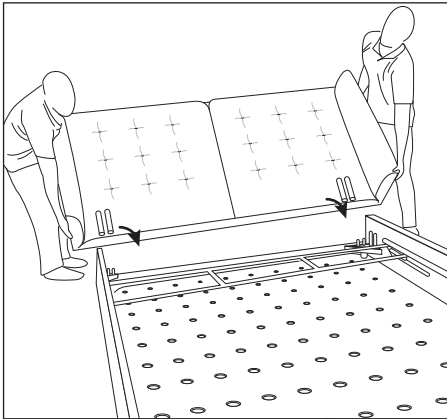
**10** Attach one end of spreader rail.



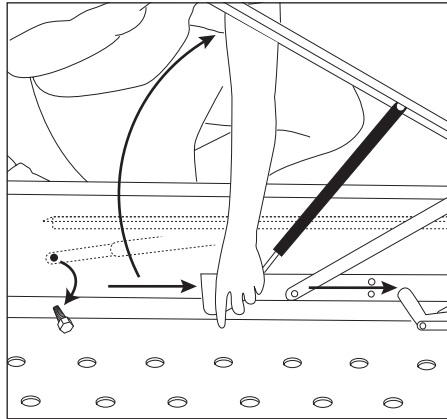
**11** Attach other end of spreader rail and push together.



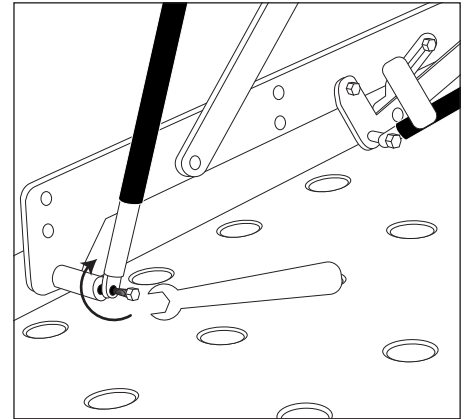
**12** When sides joined with the head & end, cover the exposed corner leg pins with triangle pieces – as shown.



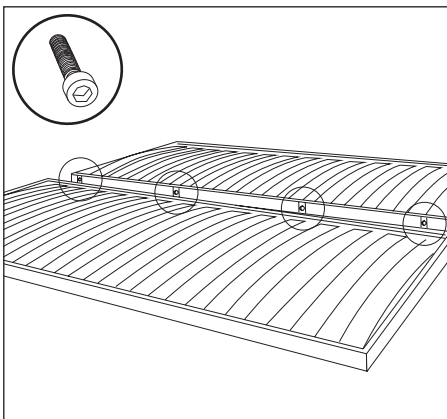
**13** Lower bed head onto tub and leg pins.



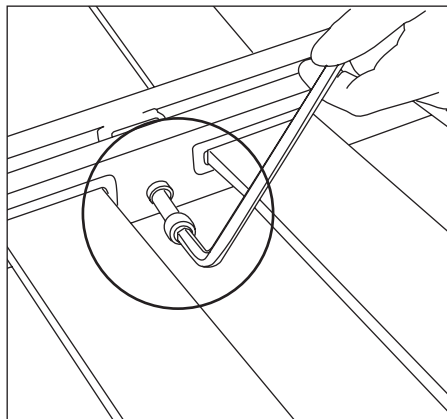
**14** Unscrew the bolt to release the transport securing mechanism. Take care not to scratch the timber.



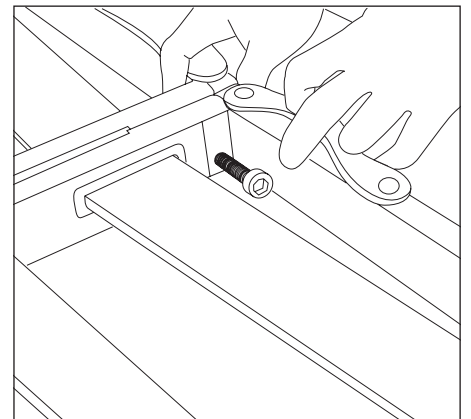
**15** Screw-in the bolt to secure lever arm in the correct position.



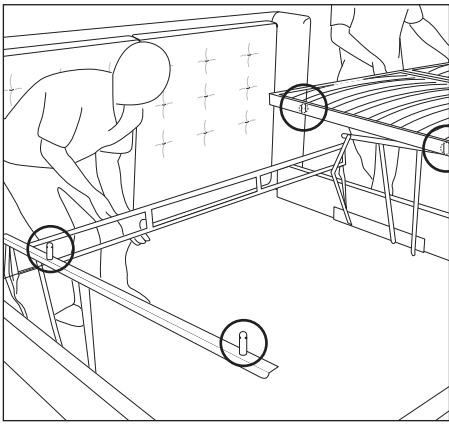
**16** Connect frame together with four (4) bolts.



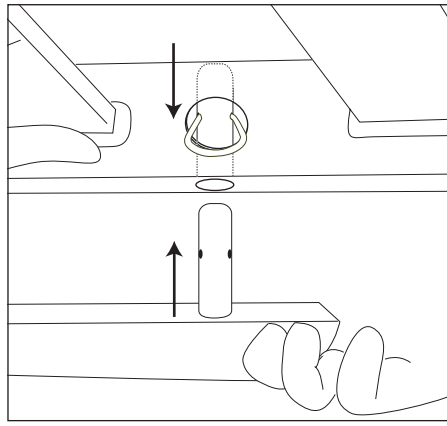
**17** Screw in securely with the provided Allen Key.



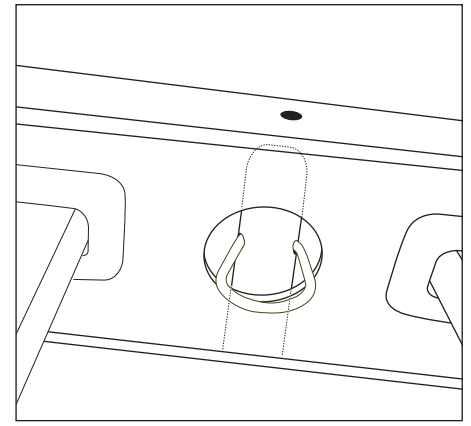
**18** Ensure all four (4) bolts are secured.



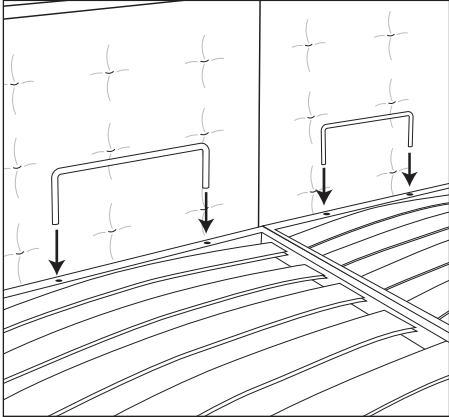
**19 Click System:** With bed in bed-making position, lower frame onto bed rail. Line-up knobs with receivers.



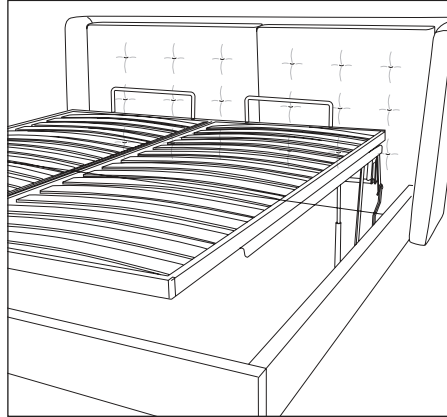
**20 Click System:** Push-in until all four (4) connectors 'click' securely.



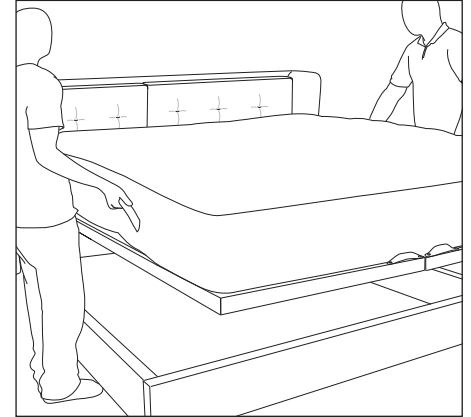
**21 Click System:** Bed frame is now secured to bed rail.



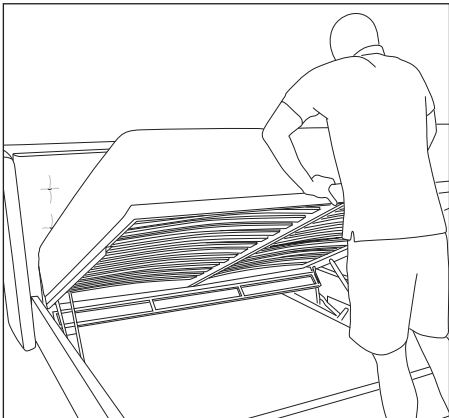
**22** Line-up mattress supports with receiving holes and push the supports into bed frame.



**23** With bed still open, tighten all screws & bolts to ensure bed frame, bed rail and bed base are all securely attached.



**24** Place mattress on top of bed frame carefully.



**25** Close the assembled bed.

**KING LIVING  
CUSTOMER CARE:**

**AUSTRALIA:**  
T 1300 135 464  
E [service@kingliving.com.au](mailto:service@kingliving.com.au)  
W [kingliving.com.au](http://kingliving.com.au)

**NEW ZEALAND:**  
T 0800 546 422  
E [service@kingliving.co.nz](mailto:service@kingliving.co.nz)  
W [kingliving.co.nz](http://kingliving.co.nz)

**SINGAPORE:**  
T +65 6805 4198  
E [kingcare@kingliving.com.sg](mailto:kingcare@kingliving.com.sg)  
W [kingliving.com.sg](http://kingliving.com.sg)

**MALAYSIA:**  
T +603 7732 0272  
E [service@kingliving.my](mailto:service@kingliving.my)  
W [kingliving.my](http://kingliving.my)